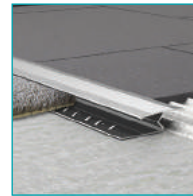
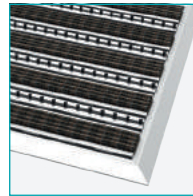
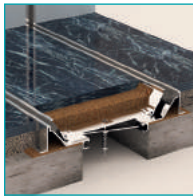


2019-2020



w w w . a r f e n . c o m

We Build Solutions



We're celebrating 20 years!



GENERAL PRODUCTS CATALOGUE

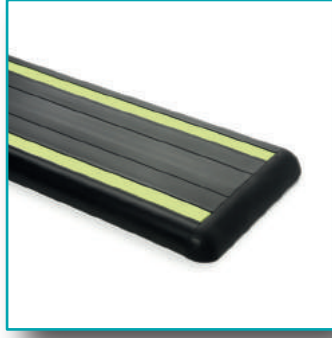


Note: Printed out colours selections do not representative the original texture. Please request a PVC colour chart for our original texture.



ARFEN's Wall Protection selections are colourful. Our widespread colour solutions serve further than our clients expectations.

	23-Ivory Cream		26-Cappuccino	
	21-Off-White		54-Bronze	
	20-White		80-Ice Blue	
	53-Rose Buff		40-Polished Grey	
	52-Coral		85-Dark Blue	
	51-Mandarin		83-Blue	
	50-Mustard		82-Lilac	
	24-Wheat		81-Light Blue	
	28-Light Brown		42-Dark Grey	
	55-Pink		41-Light Grey	
	29-Beige		70-Light Green	
	25-Sand Beige		74-Pistachio Green	
	27-Dark Brown		75-Dark Green	
	31-Brown		71-Light Turquoise	
			72-Dark Turquoise	
			58-Red	
			59-Bordeaux	
			30-Cinnamon	



wall and corner protection systems

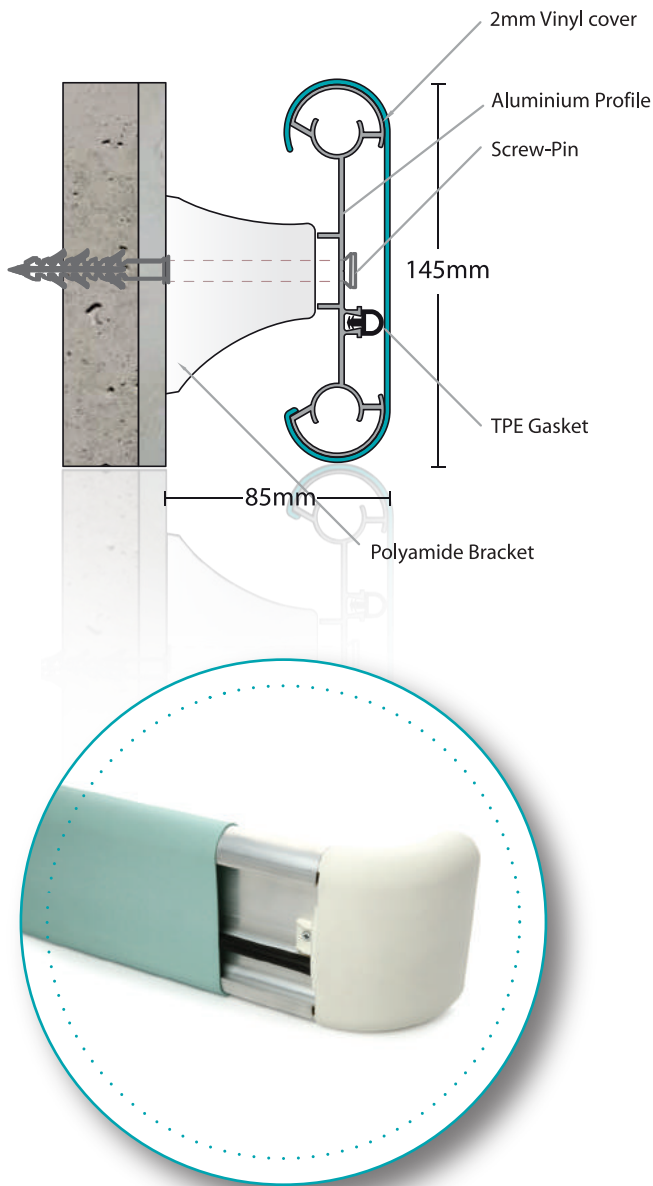


ADVANTAGES

- ✓ All of our products are CE certificated and they have 9001-2008 quality standards.
- ✓ Our products have VOC test report which shows that none of them includes no persistent gas harmful to human health.
- ✓ Our materials do not include heavy metals, therefore, they are not hazardous on human health and all are ROHS certificated.
- ✓ Our products are antibacterial therefore they have TÜBİTAK approved antibacterial report.
- ✓ Test of impact strength exists and our products have the property of B1 class fire-proofing.
- ✓ The impact strength is reported and approved by YILDIZ TECHNICAL UNIVERSITY with the highest specified value.
- ✓ Precautions taken against the environmental impacts are sufficient and ÇED certificated.
- ✓ Finish and accessories are made from polyamide 6. Compare with 'ABS' raw material; it is 4-5 times more stronger and it is not fragile like ABS.
- ✓ Shock absorber TPE insert, resistant to all weather conditions and TSE certificated.
- ✓ All raw materials (plastic and aluminium) which are used in our products are recyclable.



» WG145



WG 145 Handrail Wall Protection System

WG145 wall protection band have dimensions of 145 mm width, and 85 mm depth. ARFEN's WG 145 wall protection & handrail system is an elegant handrail system which protects walls from impact damage and wear and also provides support to patients. The decorative vinyl cover are produced in 32 different colours. It is installed to the walls with brackets with an interval of 60 to 75 cm.

WG005 Bracket



WG006 Left and Right End



WG007-1 Internal Bit

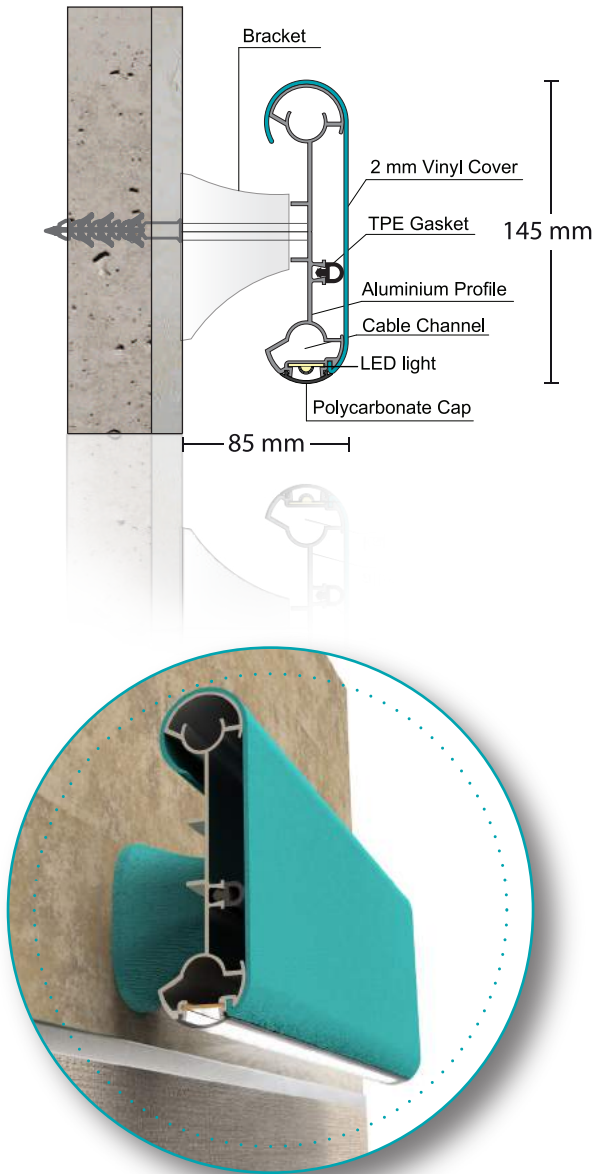


WG007-2 External Bit



WG145

» WG145-1



WG 145-1 VINYL LED Lighting Handrail and Wall Protection

VINYL LED lighting Handrail designed to provide guidance for hospital corridors at night-time. WG 145-1's low energy consumption and decorative appearance make our LED lighting handrail system a preferred guard system for hospitals. WG 145-1 wall protection band have dimensions of 145 mm width, and 85 mm depth and assembled to the wall with a continuous aluminium profile. WG 145-1 is not only a wall protection system, it is also a handrail system that is designed to support patients. LED illumination channels are integrated in the bottom of the profile. Profile length is 4 meters and decorative vinyl cover is produced in 32 different colours. It is installed to the walls with different fixing elements with an interval of 60-75 cm.

WG005 Bracket



WG006 Left and Right End



WG007-1 Internal Bit

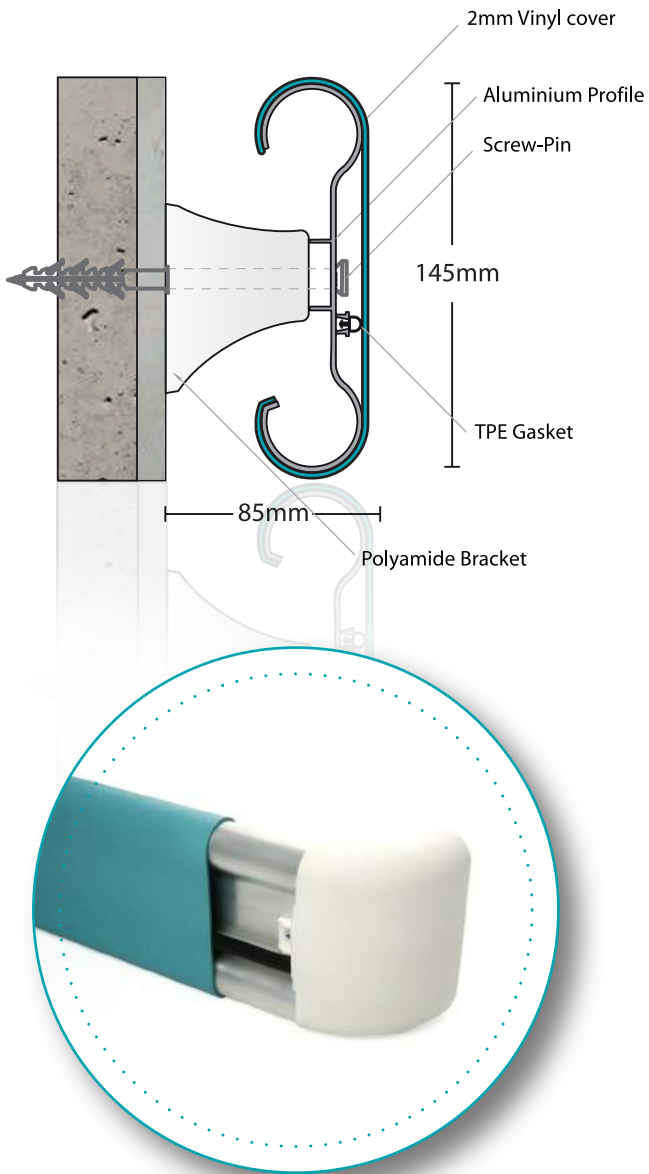


WG007-2 External Bit



WG145-1

» WG146



WG 146 Handrail Wall Protection System (Economic)

WG146 wall protection band have dimensions of 145 mm width, and 85 mm depth. ARFEN's WG 146 wall protection & handrail system is an elegant handrail system which protects walls from impact damage and wear and also provide support to patients. The decorative vinyl cover are produced in 32 different colours and profile length is 4 meters. It is installed to the walls with brackets with an interval of 60 to 75 cm.

WG005 Bracket



WG006 Left and Right End



WG007-1 Internal Bit

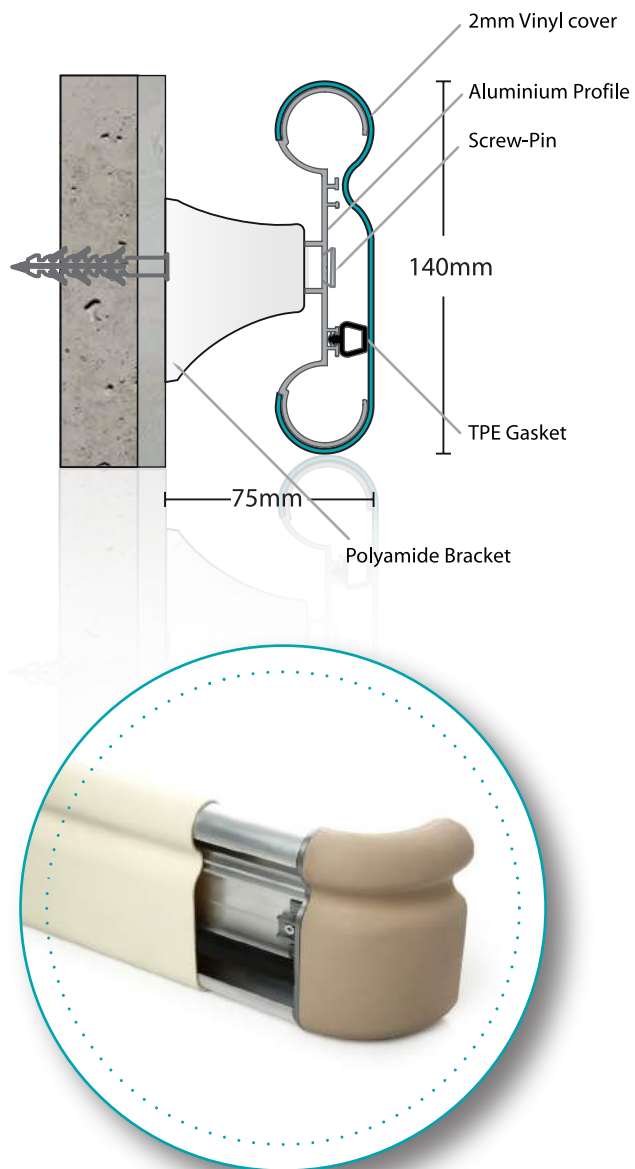


WG007-2 External Bit



WG146

» DC140

**DC 140 Handrail & Wall Protection System**

DC 140 Handrail Wall Protection System is decorative wall protection band with 140 mm width and 75 mm depth. Continuously curved wall protection band is installed to the wall by using continuous aluminium retainer. It absorbs impacts due to lower rubber wick and offers modern solutions by decorative end caps and accessories. Its superstructure and wide guard area make it an ideal system for hospitals, shopping centres, public buildings, schools and areas exposed to heavy human-traffic. Vinyl cover is provided with the same colour of the decorative finish end parts. The profile length is 4 meters and produced in 32 different colours.

DC005 Bracket



DC006-1 Left End



DC006-2 Right End



DC007-1 Internal Bit

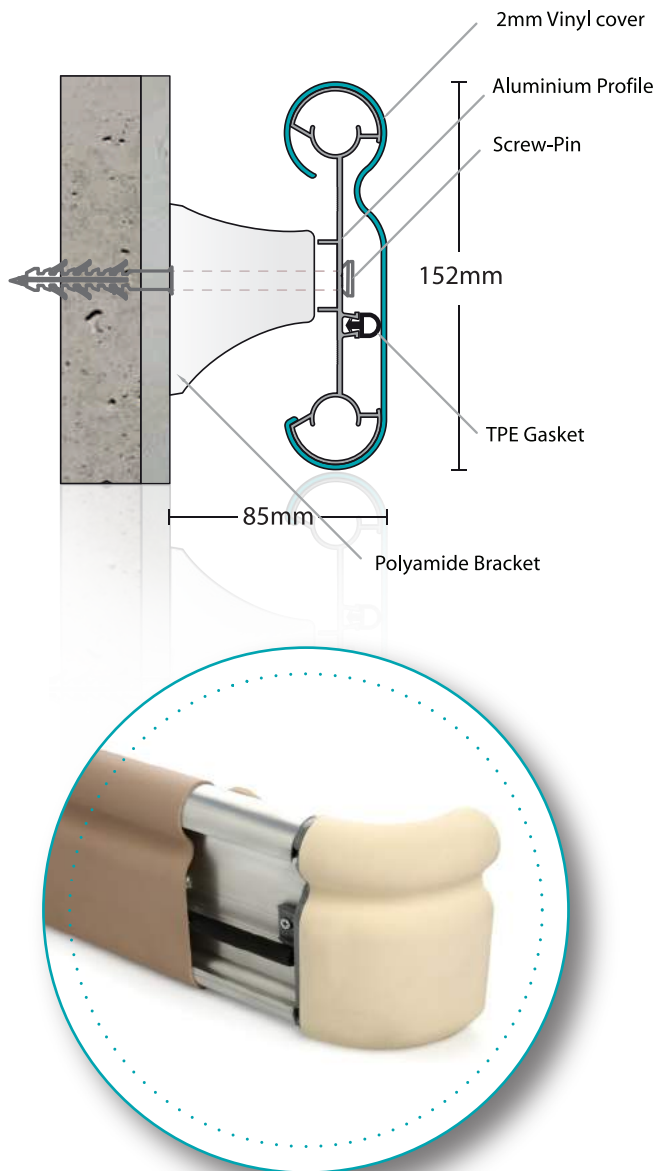


DC007-2 External Bit



DC140

» WG152



WG 152 Handrail & Wall Protection System

WG 152 Handrail Wall Protection System is decorative wall protection band with 152 mm width and 85 mm depth. A continuous aluminium retainer is fastened to the wall at 60-75 cm intervals by using mounting brackets. Vinyl coated wall protection system is resistant to scratching and absorbs the impacts through lower rubber Inserts and offers modern solutions by decorative right and left returns. Profile length is 4 meters and produced in 32 different colours. By Its antibacterial formulation (does not contain any heavy metal ingredient) is ideal for hospitals, nursing houses and clinics.

WG005 Bracket



WG026 Left End



WG027 Right End



WG028 Internal Bit

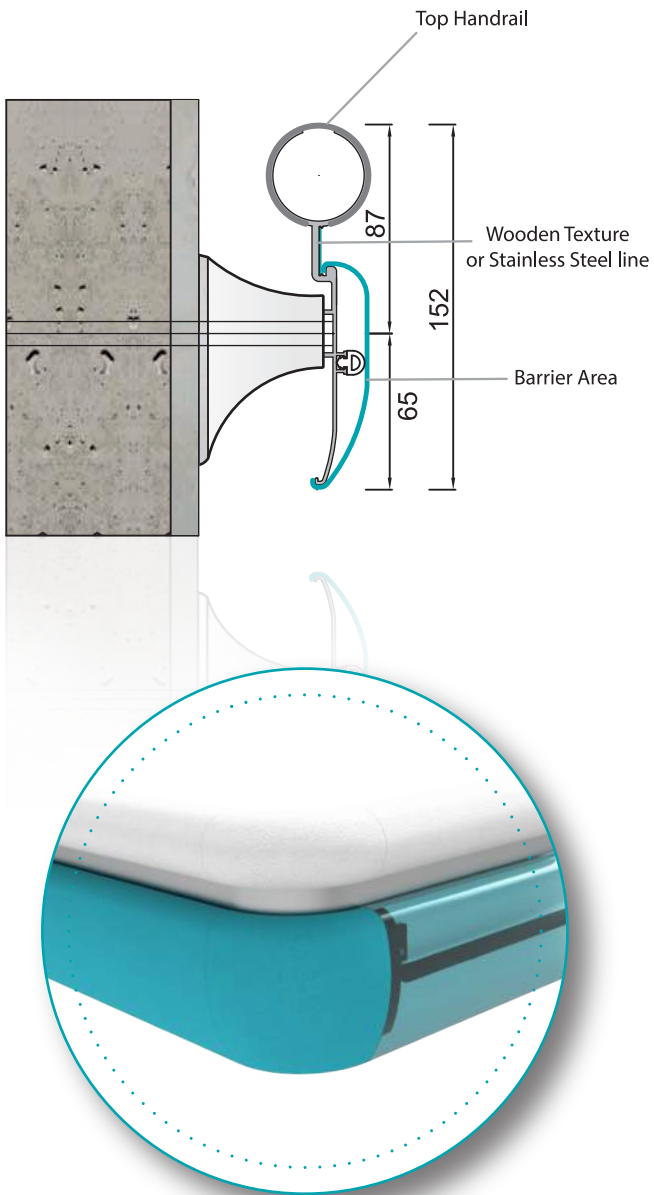


WG029 External Bit



WG152

» WG152-1 COMBORAIL



WG152-1 Combo Rail Wall Protection & Handrail Systems

ARFEN WG 152 combination system provides such an option to select different colours in one system. The middle line is either wooden texture or stainless steel material. By its decorative and colourful design, it is suitable for all types of places.

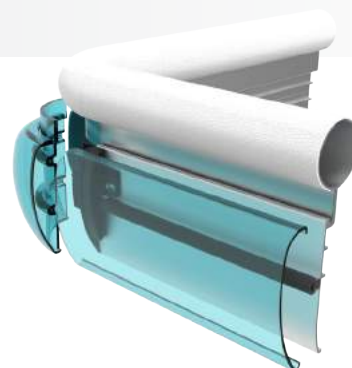
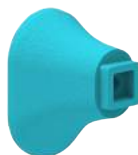
WG044 Left End



WG045 Right End

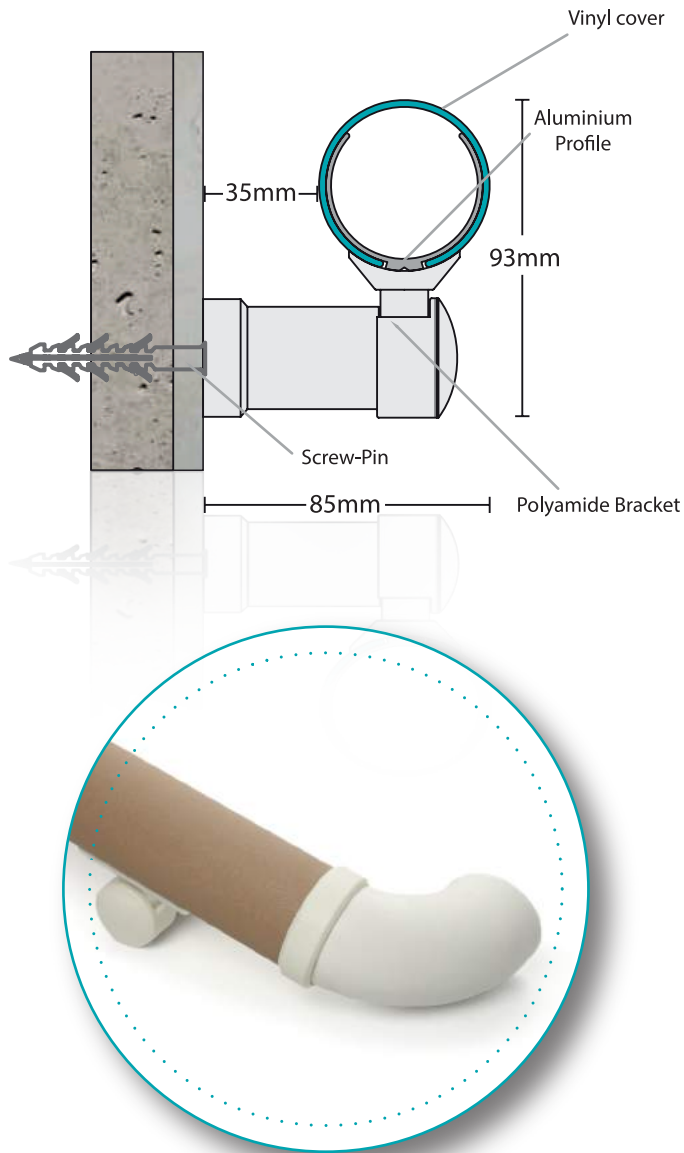


DC005 Bracket



WG152-1 COMBO

» WG50



WG 50 Handrail System

WG 50 can be used for holding purposes in hospitals corridors, common areas and staircase openings. Its colour alternatives, warm decorative texture and end parts are not available in any other Railing systems. It can be utilized as railing systems in schools, hotels, malls, business centres and houses. Profile length is 4 meters and produced in 32 different colours.

WG010 Handrail Bracket



WG011 Handrail Elbow



WG017 Handrail Bracelet



WG018 Handrail End Cap

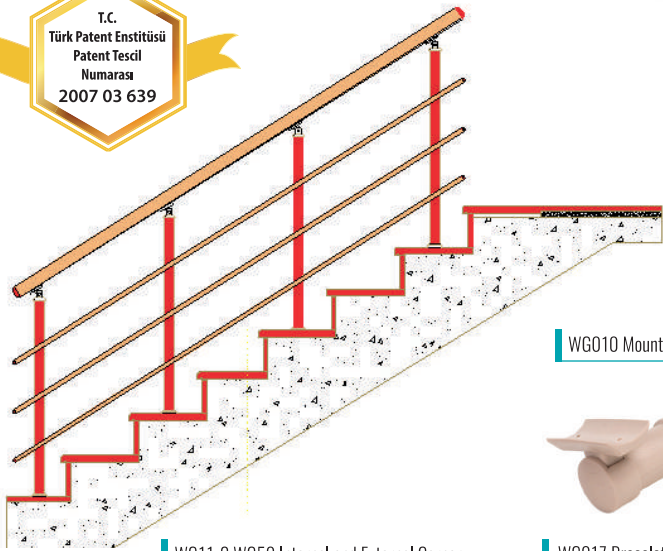


WG50



» WG 50 RAILING SYSTEMS

T.C.
Türk Patent Enstitüsü
Patent Tescil
Numarası
2007 03 639



WG 50 Handrail System

WG50 Handrail System, is a system which offers various colour options that no any other systems can provide in stair openings and gallery spacing. Structurally, it offers various solutions by its applicability with other systems of using some accessories in stainless steel while other in aluminium. Internal aluminium retainer and vinyl top surface makes it resistant to scratching and shock proofing to impacts. The profile length is 4 meters and produced in 32 different colours.

WG010 Mounting Bracket



WG010-1 Stainless Steel Bracket



WG011 Elbow



WG11-2 WG50 Internal and External Corner



WG017 Bracelet for WG50



WG018 Splice End Cap



WGP18 Horizontal
Connection Bit



WG019
40mm Joint Bug



WG021
External Return



WG021-2
Internal Return



WG50 Handrail



WG024 Handrail flange



WG025
40mm Floor for Flange



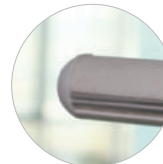
WG040
40mm Vertical Profile



WG041
Vertical Cap

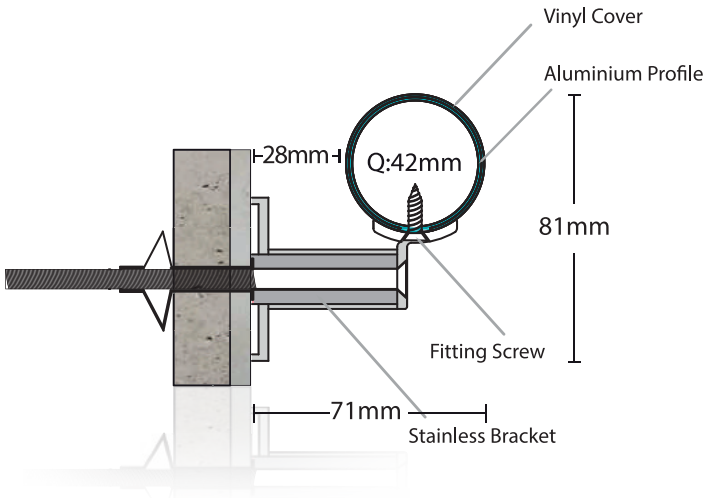


WG022
18mm End Cap



WG50 RAILING SYSTEMS

» WG42



WG 42 Handrail System

WG 42 can be used for holding purposes in hospitals corridors, common areas and staircase openings. Its colour alternatives, warm decorative texture and end parts are not available in any other railing systems. It can be used as railing systems in schools, hotels, malls, business centres and houses. The other differences of WG42 is to have stainless steel connection pieces which makes it look more aesthetic and fancy. The profile length is 4 meters and produced in 32 different colours.

WG033 Stainless Steel Mounting Bracket



WG034 Stainless Steel End

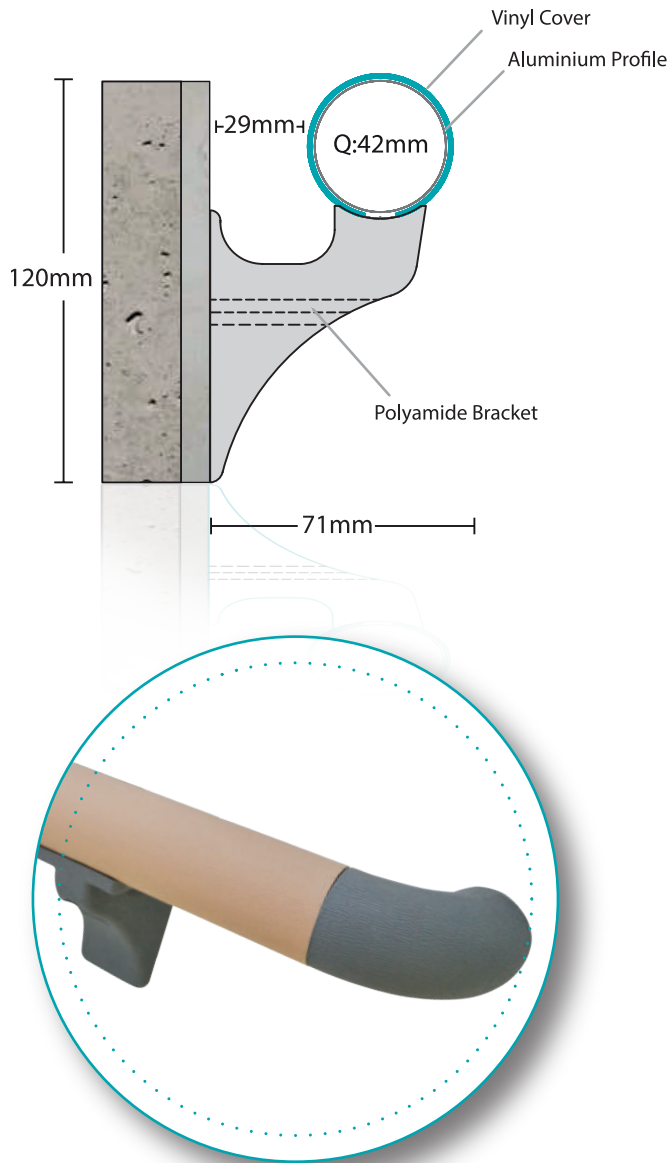


APPLICATIONS



WG42

» WG42-1



WG 42-1 Handrail System

WG 42-1 can be used for holding purposes in hospitals corridors, common areas and staircase openings. Its colour alternatives, warm decorative texture and end parts are not available in any other railing systems. It can be used as railing systems in schools, hotels, malls, business centres and houses. The other differences of WG42-1 is to have all of the connecting pieces are stainless and aesthetic appearance to walls can be provided terrifically. The profile length is 4 meters and produced in 32 different colours.

WG031 Handrail Mounting Bracket



WG032 Handrail End



APPLICATIONS



WG42-1



» WG42-2



WG 42-2 Wooden Handrail System

WG 42-2 can be used for holding purposes in hospitals corridors, common areas and staircase openings. WG 42-2 stands out by its wooden body part and stainless steel finishing ends. The profile length is 4 meters.

WG038 Stainless Steel Return



WG039 Stainless Steel Bracket



WG043 Stainless Steel Ring



APPLICATIONS



WG42-2



» WG42-3



WG 42-3 Stainless Steel & Vinyl Handrail System

WG 42-3 can be used for holding purposes in hospitals corridors, common areas and staircase openings. Its colour alternatives, warm decorative texture and end parts are not available in any other railing systems. It can be used as railing systems in schools, hotels, malls, business centres and houses. The difference of WG42-3 handrail system is that, as all of the connecting pieces are stainless and aesthetic appearance to walls can be provided terrifically. The profile length is 4 meters and produced in 32 different colours.

WG034 Stainless Steel Return



WG039 Stainless Steel Bracket

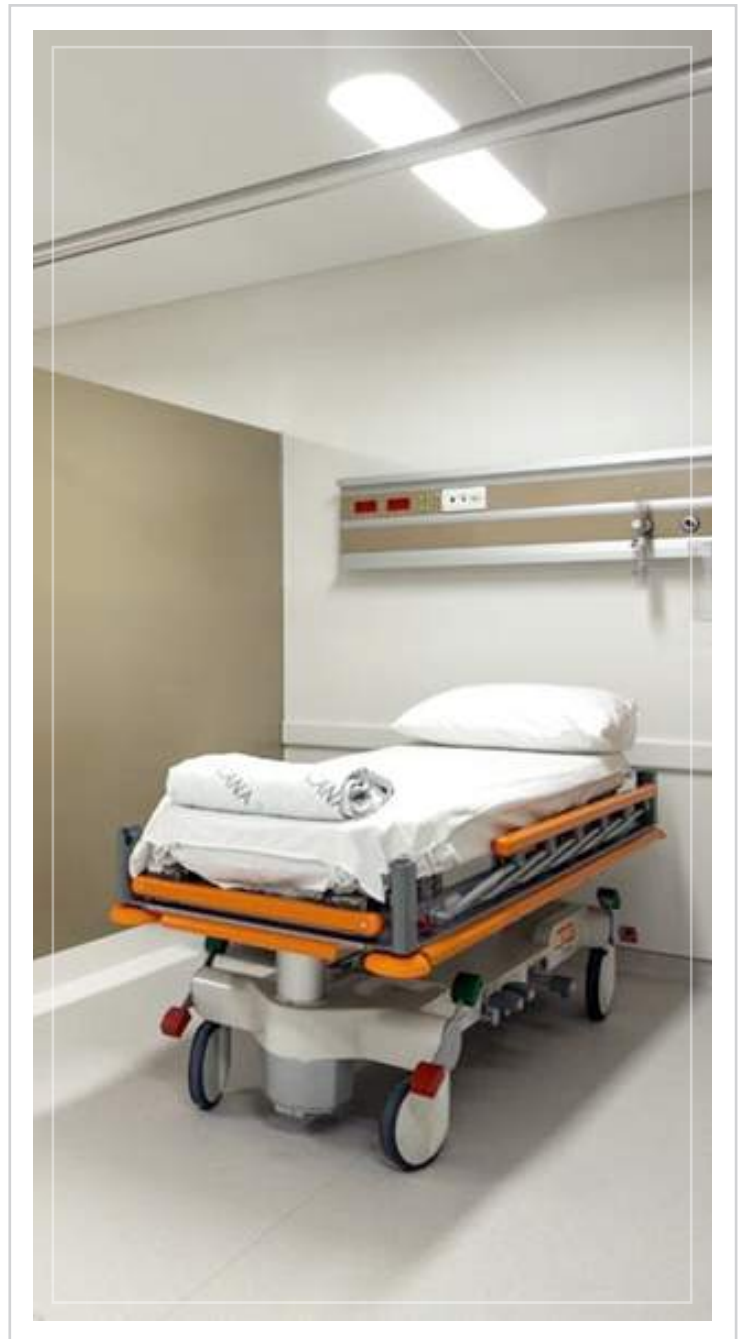
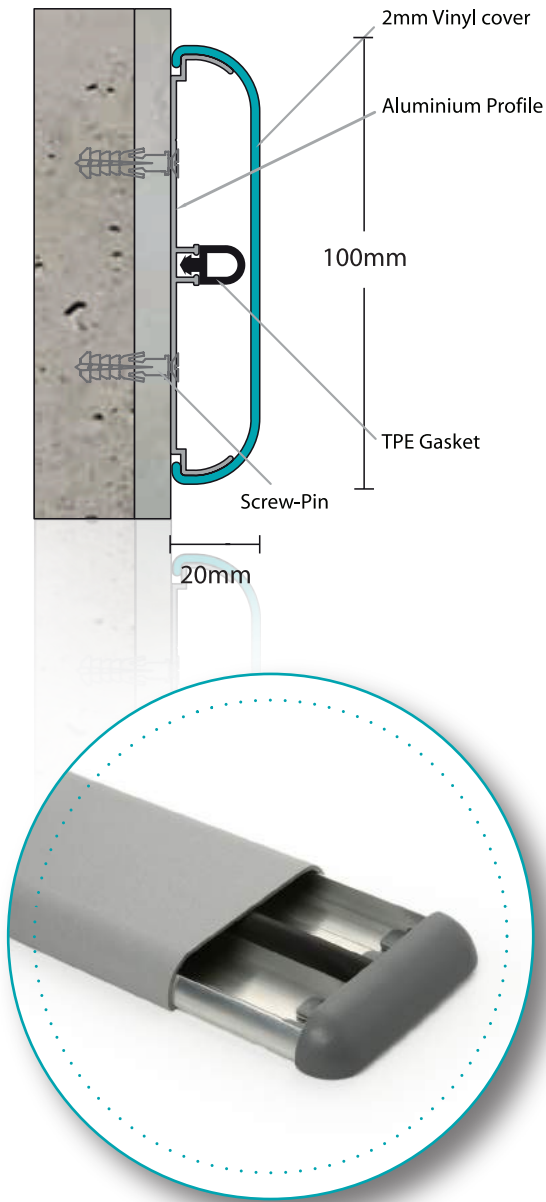


APPLICATIONS



WG42-3

» WG100



WG 100 Wall Protection System

WG 100 has 100mm width and 20mm depth. It is design to absorb impacts by its continues aluminium profile and middle gasket. Provides a decorative view with colourful end parts along with scratchproof vinyl top cover. The profile length is 4 meters and produced in 32 different colours.

WG020 Right and Left End

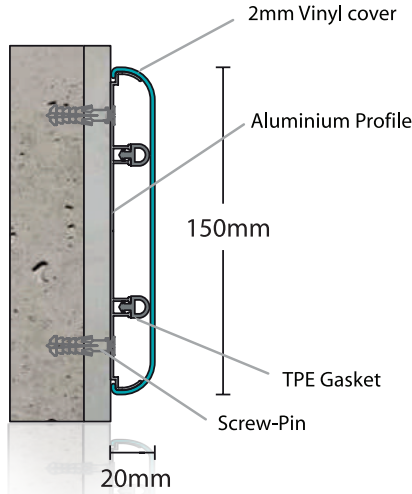


APPLICATIONS



WG100

» WG150



WG 150 Wall Protection System

WG 150 has 150mm width and 20mm depth. It is designed to absorb impacts by its continues aluminium profile and middle gasket. Provides a decorative view with colourful end parts along with scratchproof vinyl top cover. The profile length is 4 meters and produced in 32 different colours.



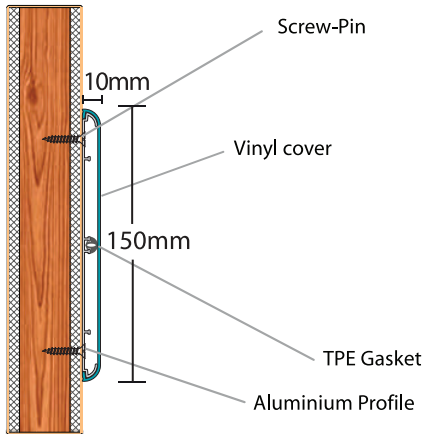
WG013 Right and Left End

WG014 External Corner



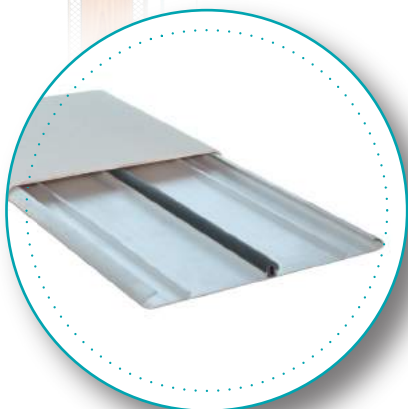
WG150

» WG150-2



WG 150-2 Door Kick Protection

WG 150-2 has 150mm width and 10mm depth. It is designed to protect the doors from kicking impacts by its continues aluminium profile and middle gasket. Also usable in service corridors to absorb impacts caused by service carts and thus, it provides functional and decorative integrity in buildings. The profile length is 4 meters and produced in 32 different colours.

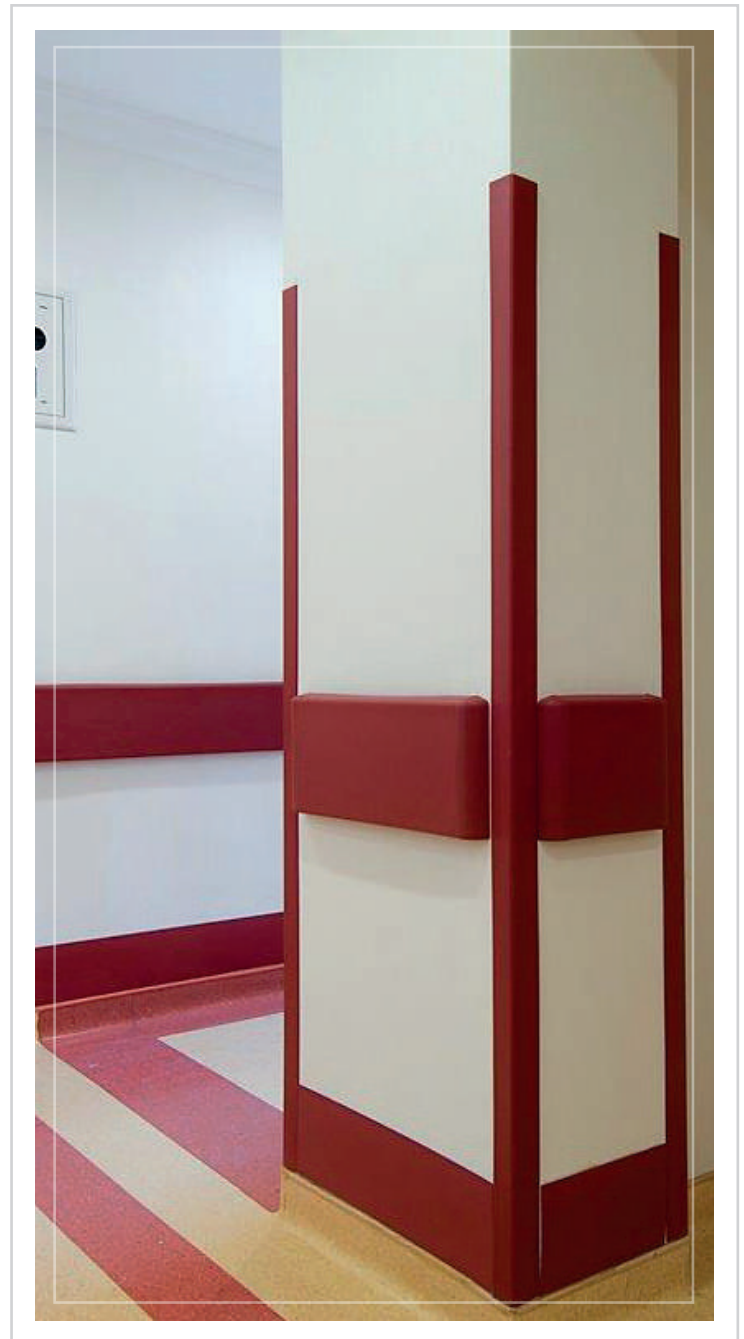
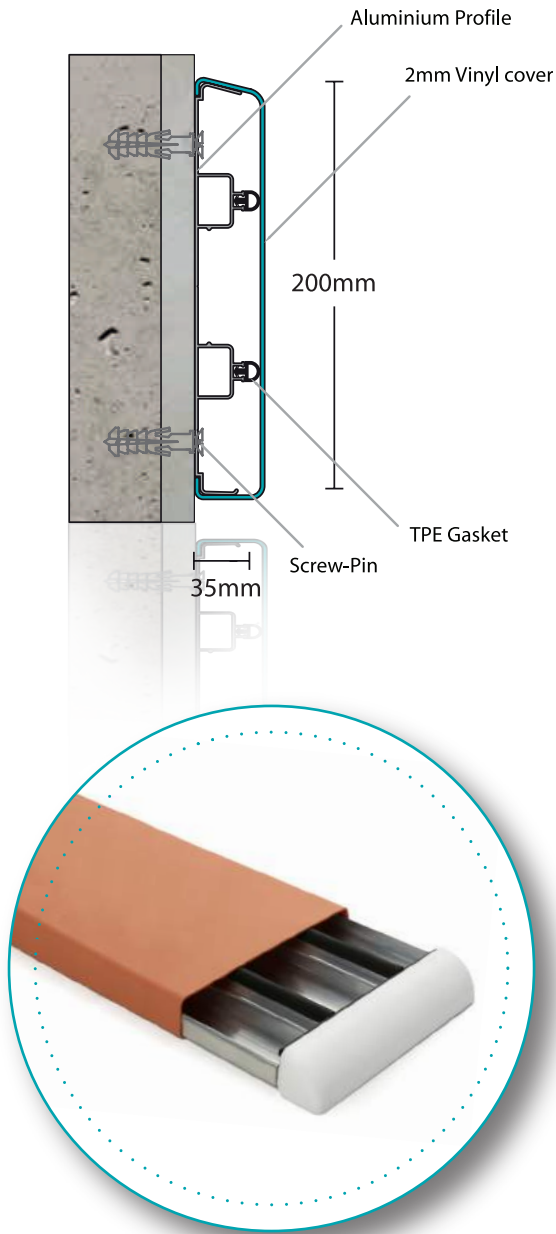


WG036 Left and Right End



WG150-2

» WG200



WG 200 Wall Protection System

WG 200 has 200mm width and 35mm depth. It is designed to absorb impacts by its continuous aluminium profile and middle gasket. Provides a decorative view with colourful end parts along with scratchproof vinyl top cover. Mounted to walls with 50 to 60 cm intervals by screws. The profile length is 4 meters and produced in 32 different colours.

WG001 Left End



WG002 Right End



WG003 External Corner

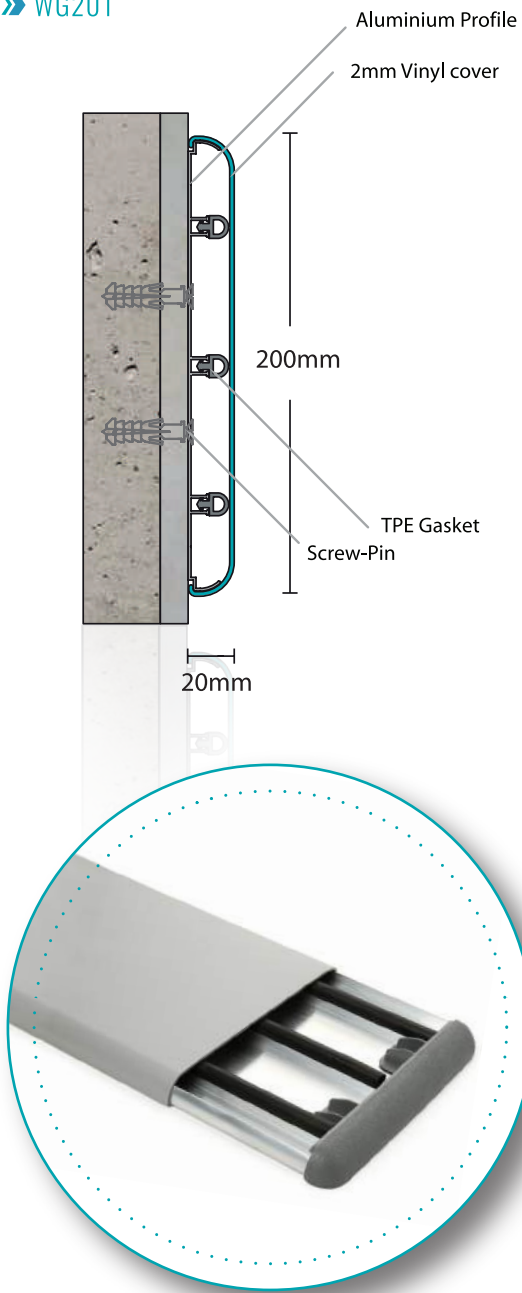


WG004 Internal Corner



WG200

» WG201



WG201 Wall Protection System

WG 201 has 200mm width and 20mm depth. It is designed to absorb impacts by its continuous aluminium profile and middle gasket. Provides a decorative view with colourful end parts along with scratchproof vinyl top cover. Fixed to walls with 50 to 60 cm intervals by screws. The profile length is 4 meters and produced in 32 different colours.

WG030 Right and Left End

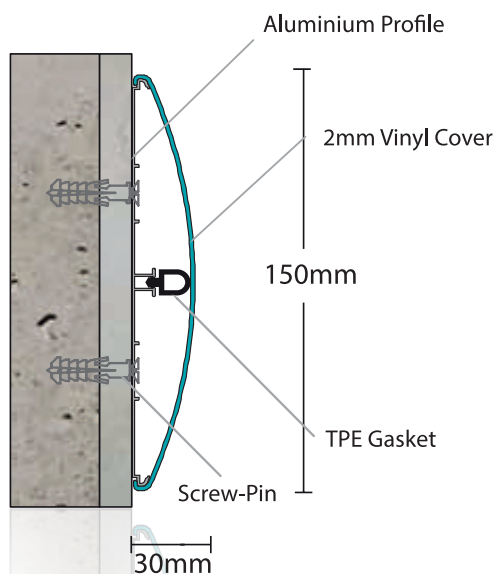


APPLICATIONS



WG201

» DC150



DC 150 Handrail Wall Protection System

DC 150 Handrail Wall Protection System is decorative wall protection band with 150 mm width and 30 mm depth. Continuously curved wall protection band is installed to the wall by using continuous aluminium retainer. It absorbs impacts due to lower rubber wick and offers modern solutions by decorative end caps and accessories. Its superstructure and wide guard area make it an ideal system for hospitals, shopping centres, public buildings, schools and areas exposed to heavy human-traffic. Vinyl cover is provided with the same colour of the decorative finish end parts. The profile length is 4 meters and produced in 32 different colours

DC013 Right and Left End



DC014 External Corner

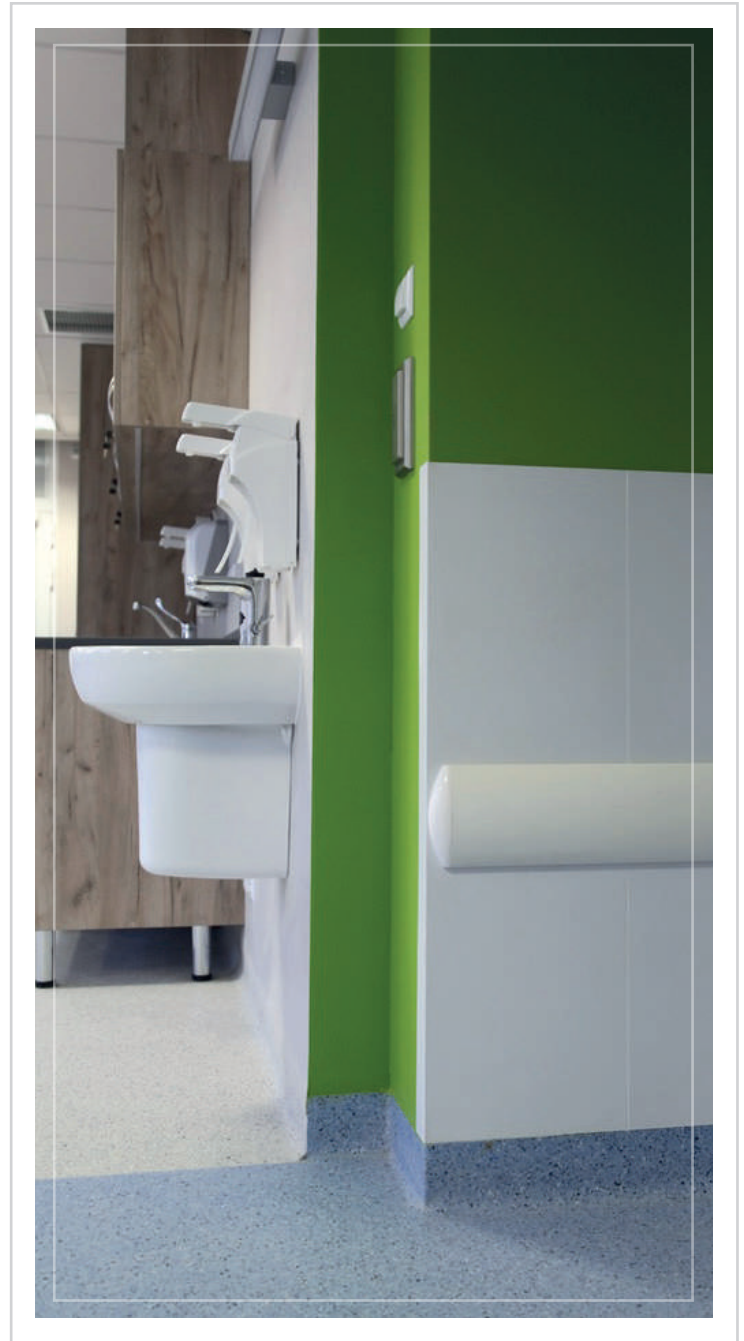
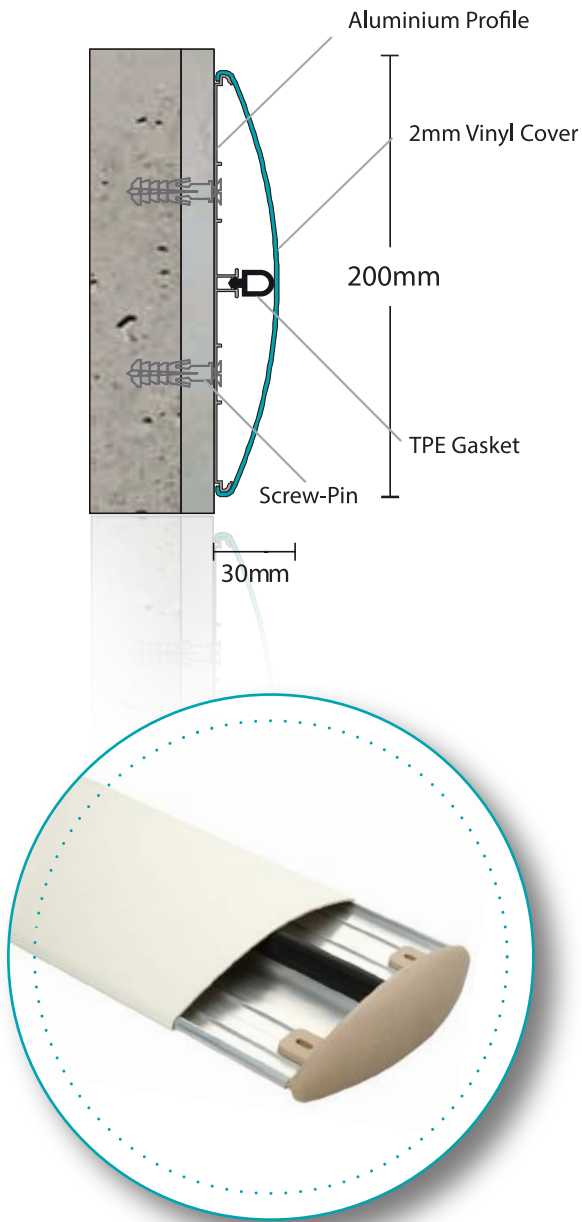


APPLICATIONS



DC150

» DC200

**DC 200 Handrail Wall Protection System**

DC 200 Handrail Wall Protection System is decorative wall protection band with 200 mm width and 30 mm depth. Continuously curved wall protection band is installed to the wall by using continuous aluminium retainer. It absorbs impacts due to lower rubber wick and offers modern solutions by decorative end caps and accessories. Its superstructure and wide guard area make it an ideal system for hospitals, shopping centres, public buildings, schools and areas exposed to heavy human-traffic. Vinyl cover is provided with the same colour of the decorative finish end parts. The profile length is 4 meters and produced in 32 different colours.

DC001 Right and Left End



DC003 External Corner

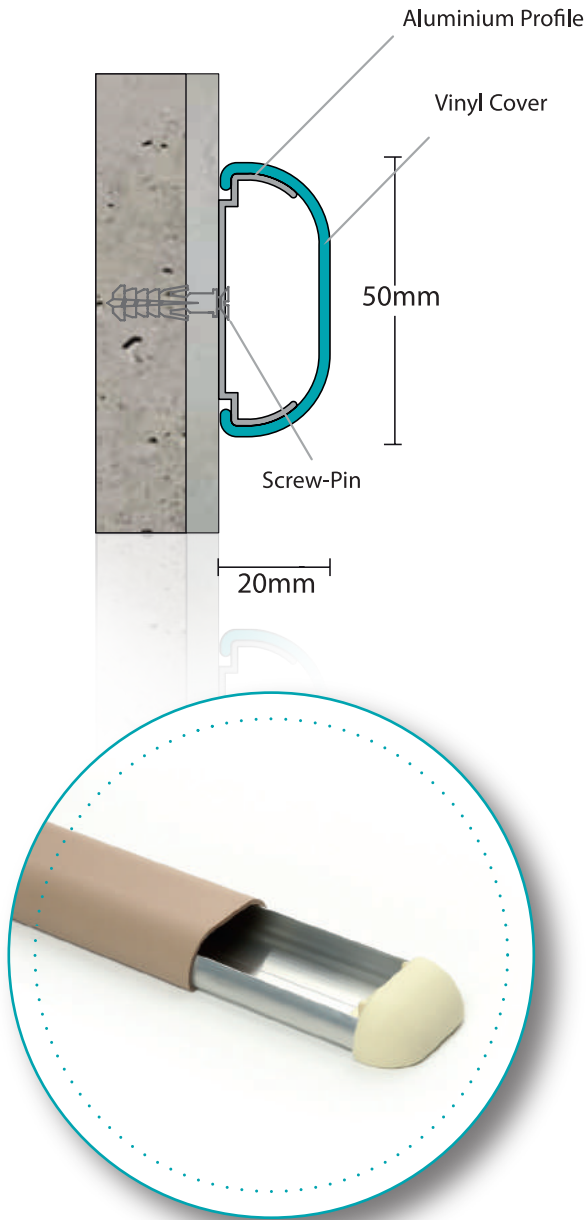


APPLICATIONS



DC200

» CR50



CR 50- Chair Rail Wall Protection System

CR 50- Chair Rail Wall Protection System is a decorative wall protection band with 50 mm width and 20 mm depth. It is designed to protect the walls from chair impacts by its continuous aluminium profile and middle gasket. Also usable in hospital corridors to absorb impacts caused by service carts and thus, it provides functional and decorative integrity in buildings. The profile length is 4 meters and produced in 32 different colours.

WGO16 Right and Left End



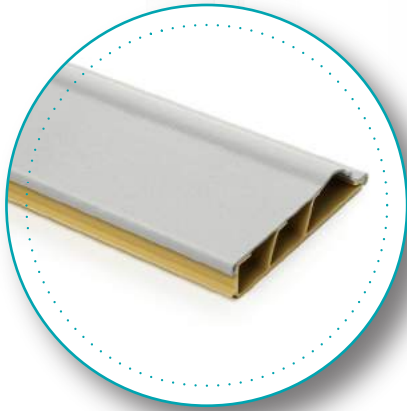
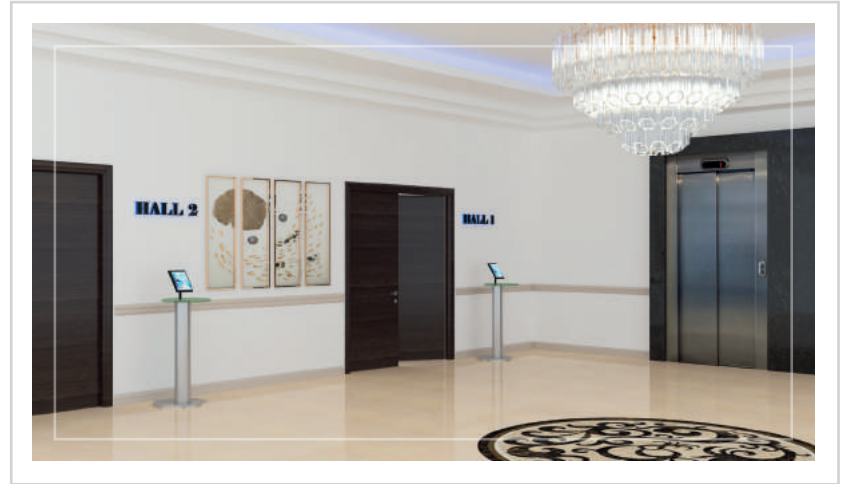
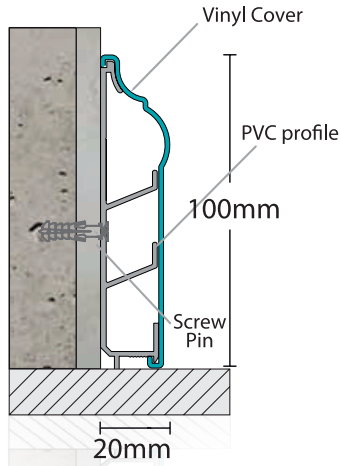
APPLICATIONS



CR50

DECORATIVE PVC CABLE CHANNEL SKIRTING BOARD & DECORATIVE WALL PROTECTION

» DC101

**DC 101 decorative PVC cable channel skirting board**

DC 101 & DC 100 are textured and decorative PVC cable channel skirting boards. All the finishing end parts are available (Internal, external, right and left ends). Can be quoted as a piece (not meter) if requested. The profile length is 4 meters and produced in 32 different colours.

DC019 Right End

DC020 Left End

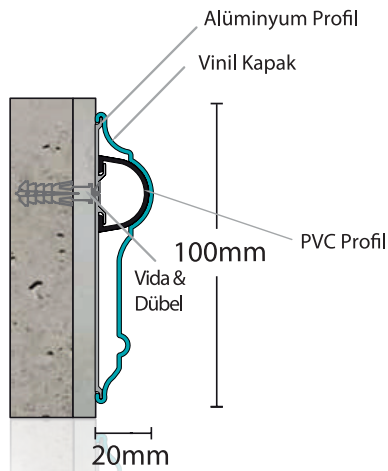
DC021 External Corner

DC022 Internal Corner



DC101

» DC100

**DC 100 Decorative Wall Protection System**

DC 100 is a decorative vinyl system that has aluminium structure inside. Usually, DC 100 is preferred in hotels and residential projects. Anti-Scratch vinyl cover length is 4 meters and produced in 32 different colours.

DC015 Right End

DC016 Left End

DC017 External Corner

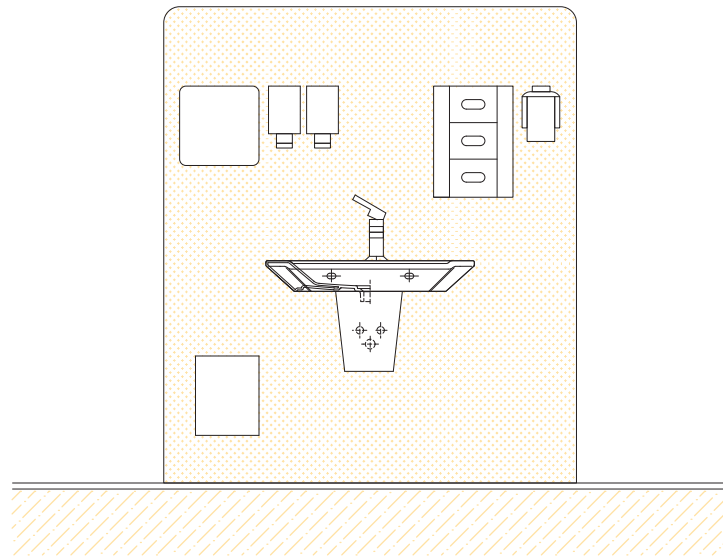
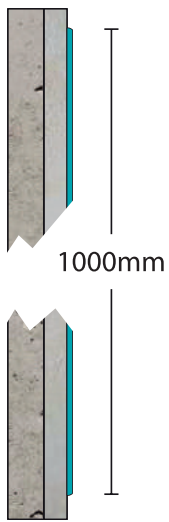
DC018 Internal Corner



DC100



» WG1004



WG 1004 Vinyl Plate

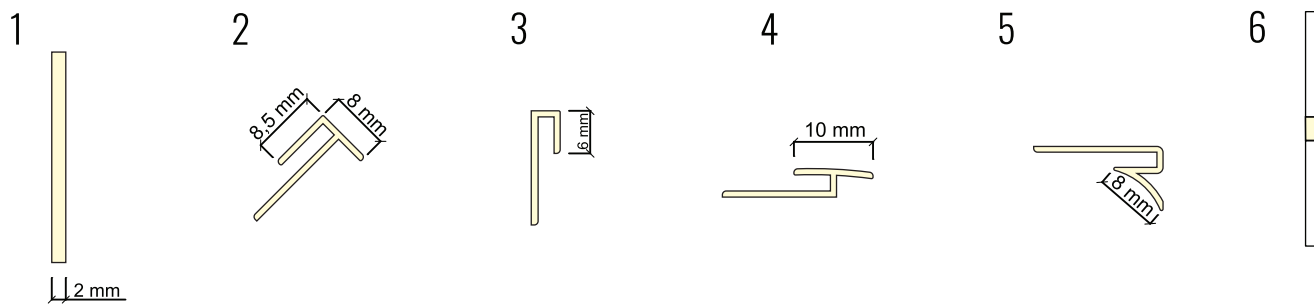
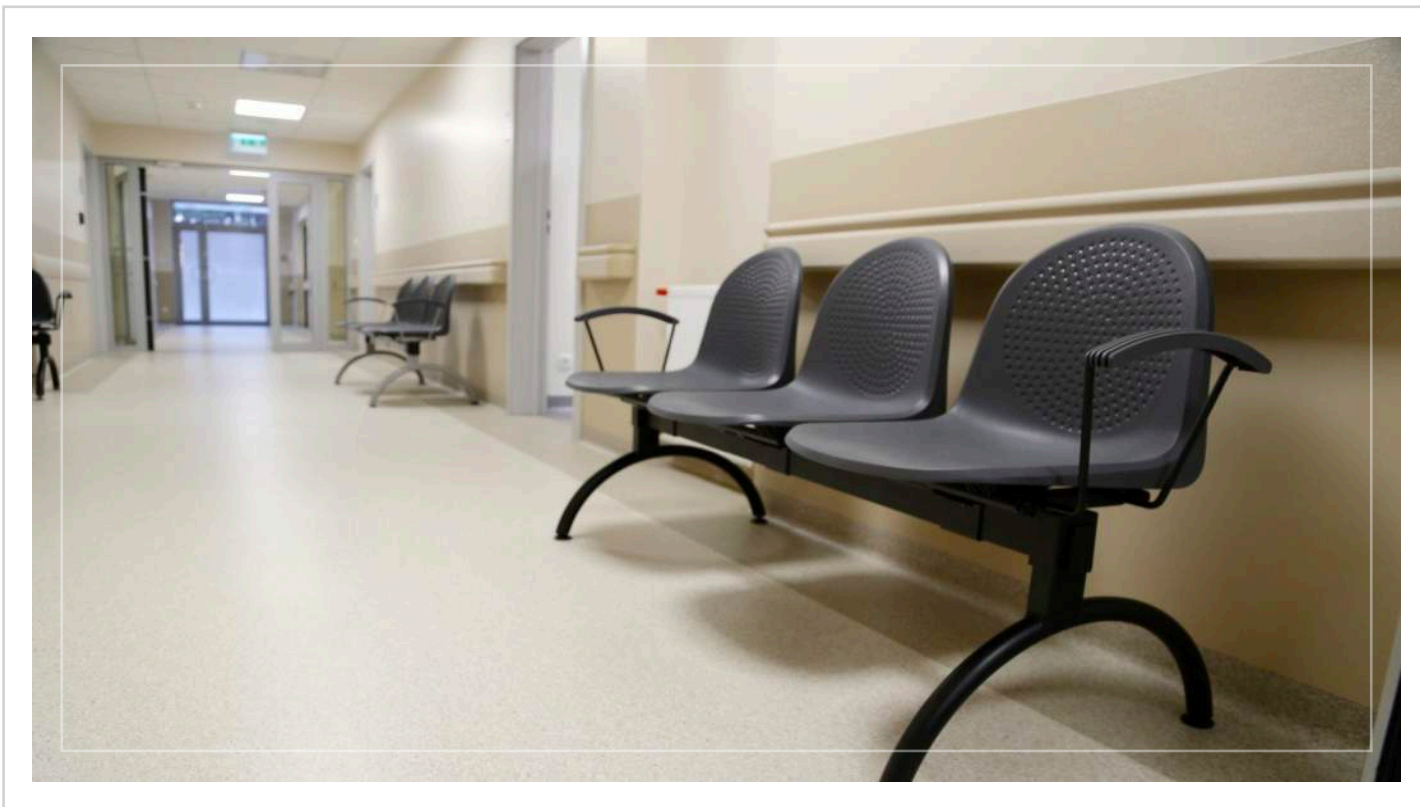
WG 1004 Plate system is 1000 mm wide. It protects and preserves building interior walls against impacts and wears. These economic plates are installed quickly and simply. They are produced in 32 different colours and 3 meters length.

APPLICATIONS



WG1004

ARFEN VINYL PLATE



Vinyl Sheet **WG1004**

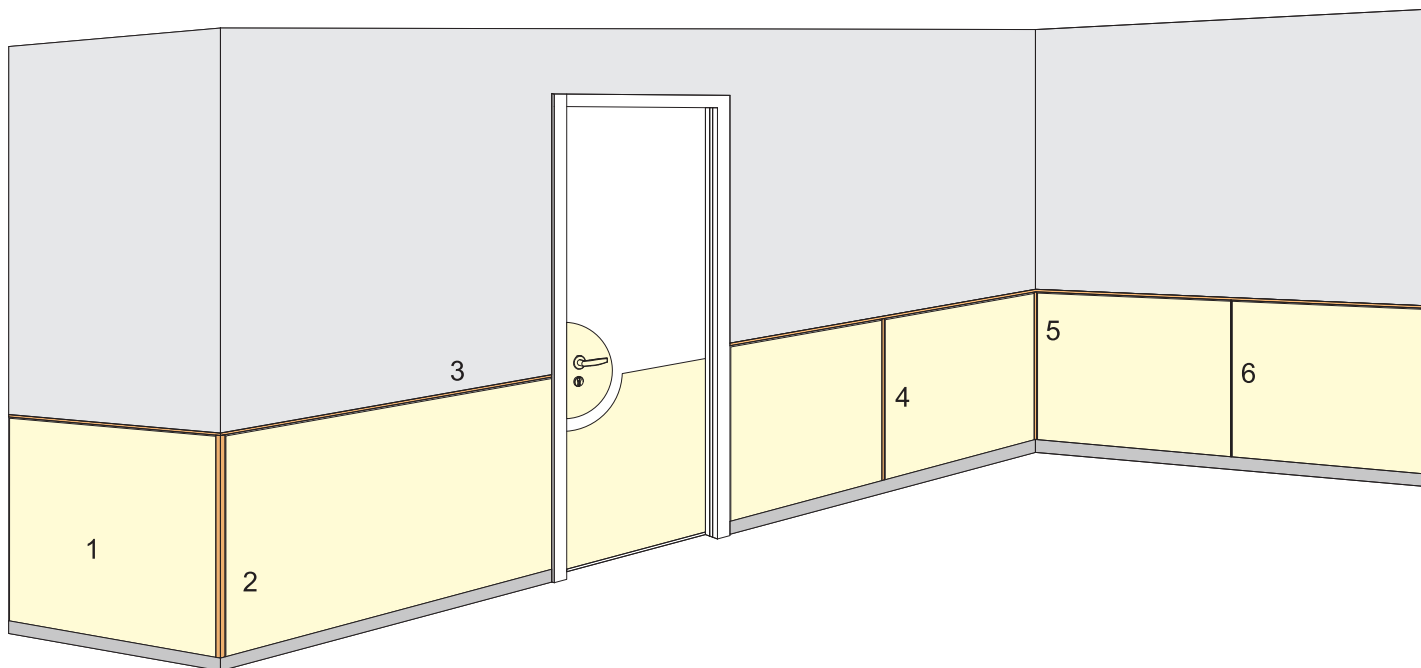
External Corner Bit **WG 1004-4**

Top Cover **WG1004-1**

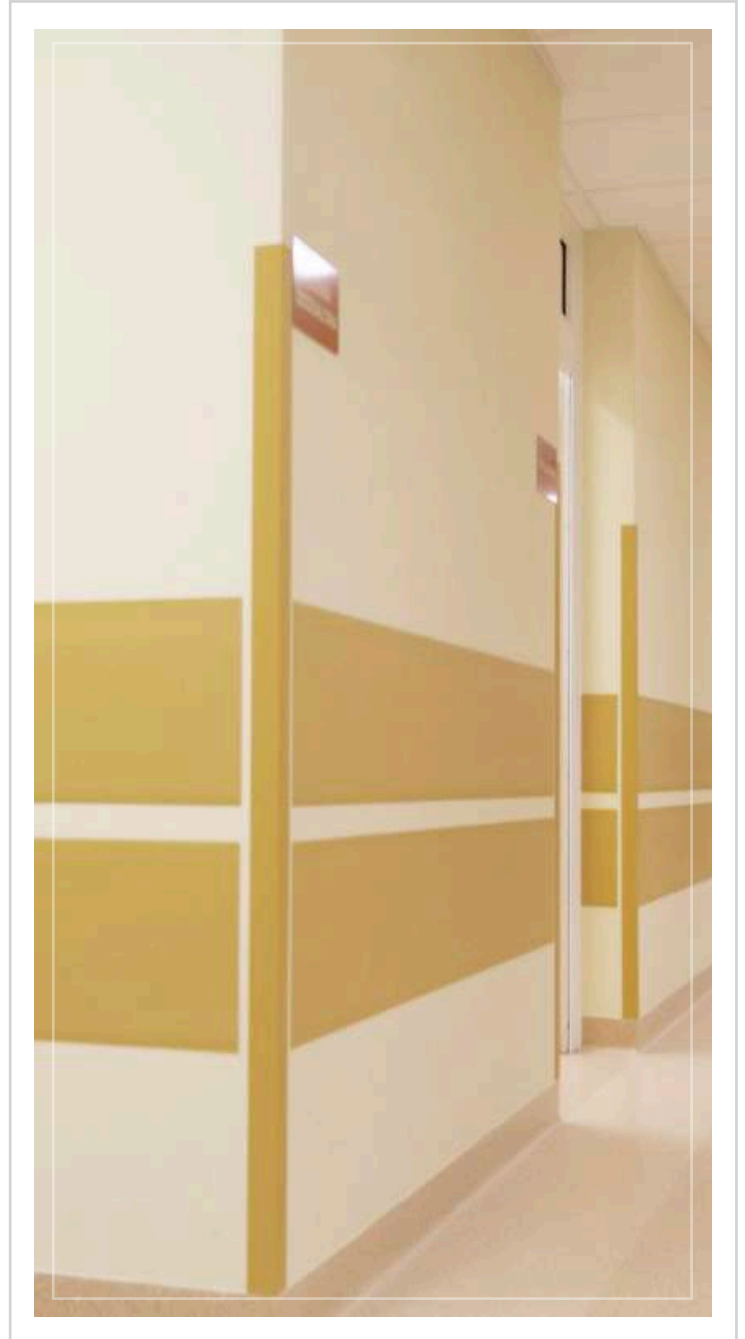
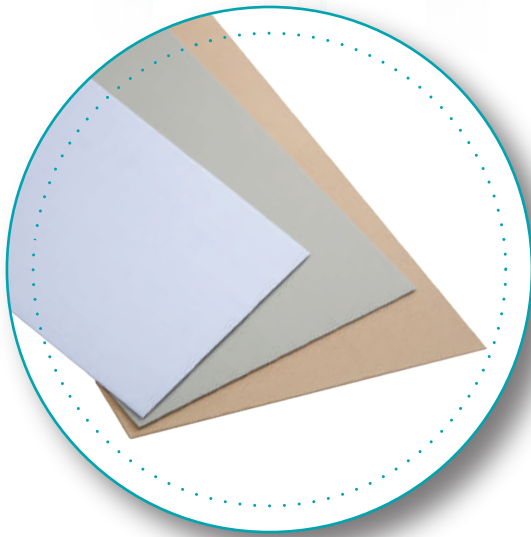
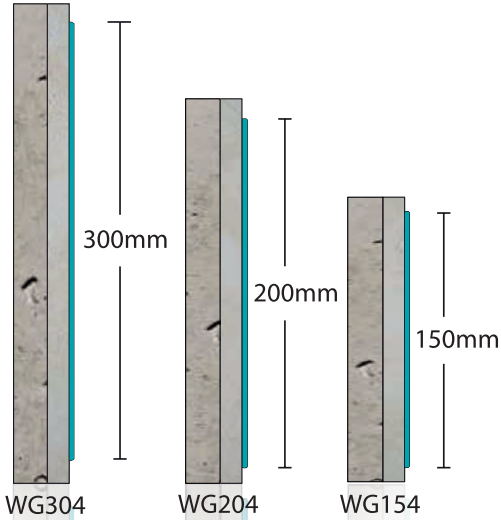
Connection Bit **WG1004-2**

Internal Corner Bit **WG1004-3**

Silicone Sealant



» WG154-204-304



WG 154 - 204 - 304 Glued Vinyl Sheets

WG154 - 204 - 304 sheets are 150mm, 200mm, and 300mm width. It protects and preserves building interiors against impact damage and wear. These economic plates are installed quickly and simply. It is produced in 4 meters lengths and 32 different colours.

Roller



Vinyl Bound Sheet Adhesive

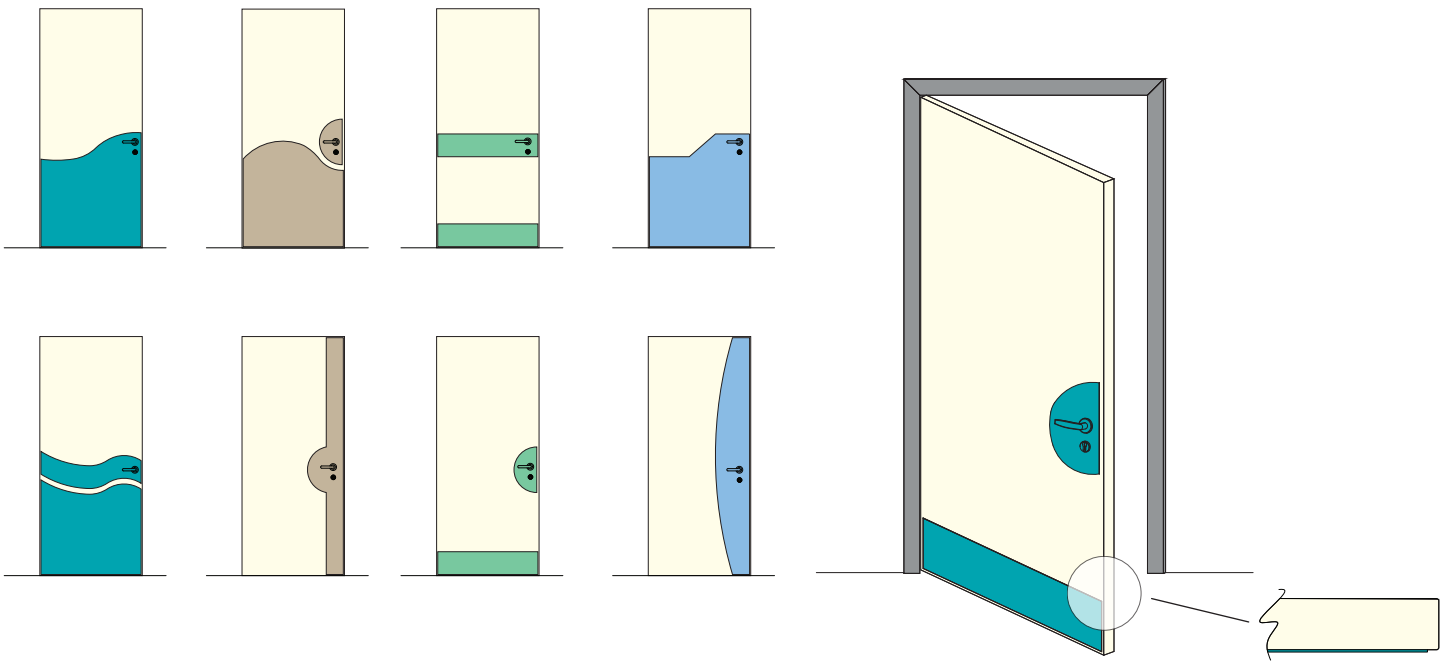


APPLICATIONS



WG154-204-304

ARFEN VINYL DOOR PLATES & KICK PLATES



DG Series Vinyl Door Kicking Plates

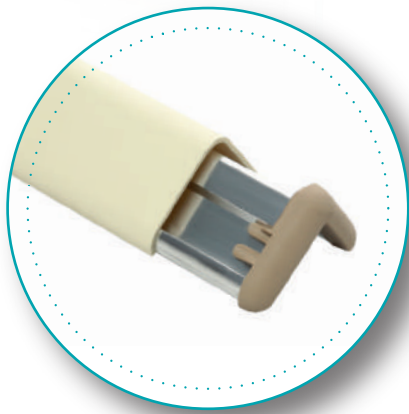
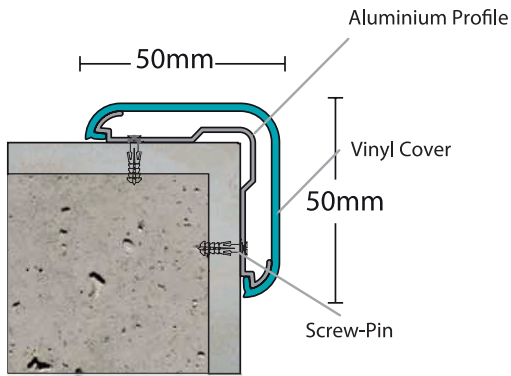
ARFEN's Decorative DG Series sheets are designed to protect the doors. Compatiblens design of the place is maintained by the same colour vinyl wall and corner guards. Provides full protection by hygienic and antibacterial structure. Although, there are standard dimensions, the new dimensions can be also developed basis of the project specifications. Especially used in hospitals, schools and offices and commercial places. Produced in 4 meter lengths and 32 different colours.

APPLICATIONS



DG SERIES

» CG50



CG50 Corner Protection System

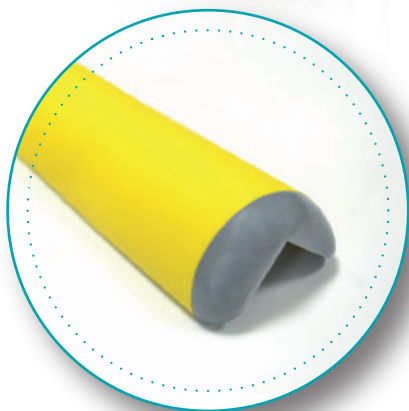
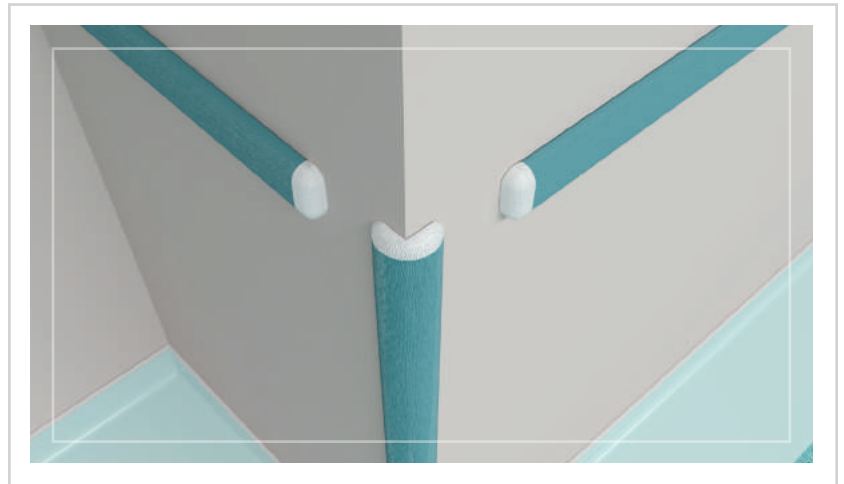
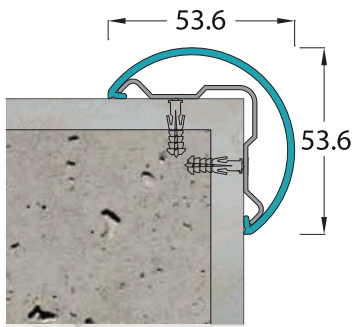
CG 50 is a corner protection system that has aluminium insider and decorative non-deformable and non-stretchable upper vinyl cover. CG50 can be used in all kinds of structures such as, hospitals, restaurants, hotels, dormitories, universities, military buildings and public buildings to protect the corners of the walls. It can be produced in a specific length (L: 1meter, L: 1.50meter) as well as at the floor height. Manufactured in 32 different colours.

WG012 End Cap



CG50

» CG51



CG51 Corner Protection System

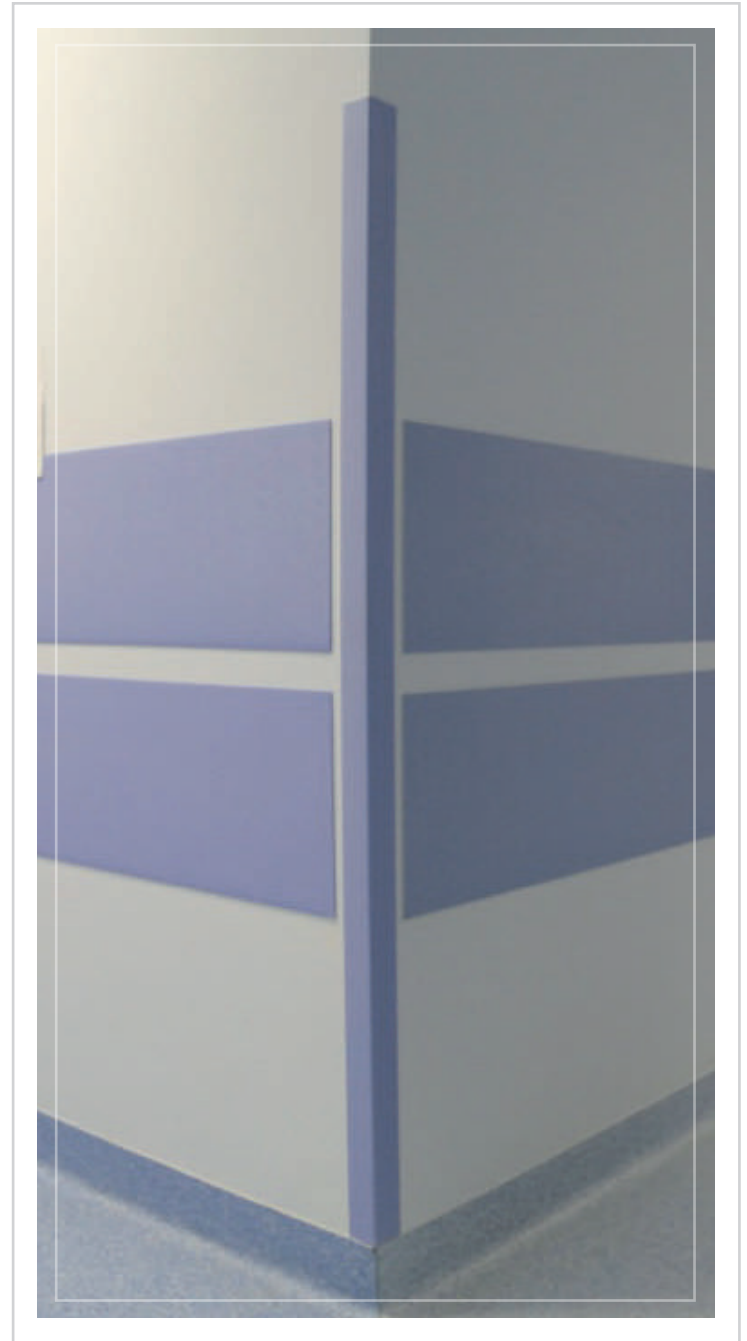
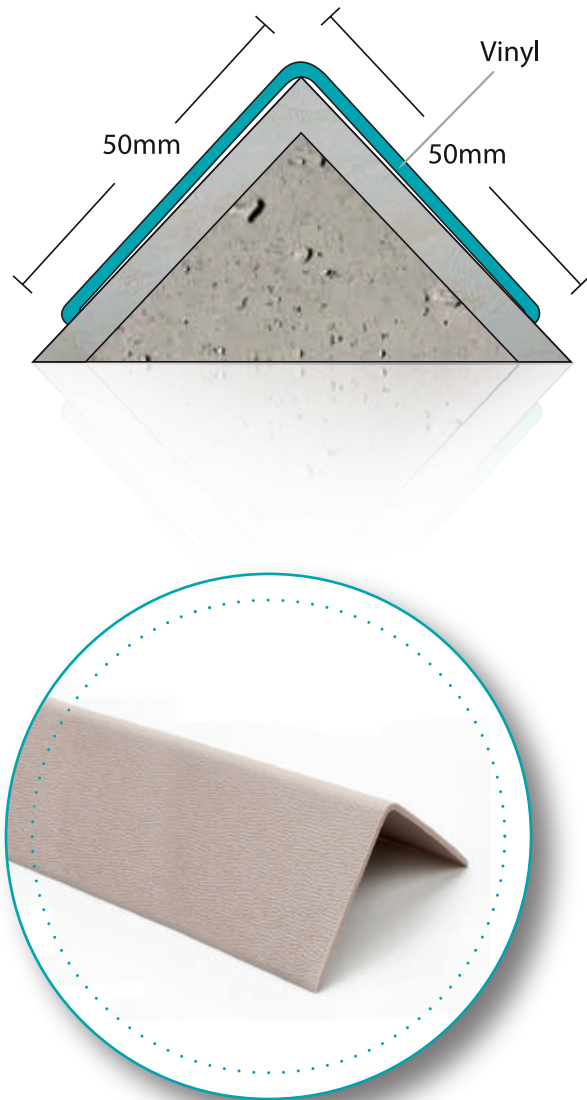
CG51 is used in childcares, hospitals and student dorms with differently designed rounded shape.

WG037 End Cap



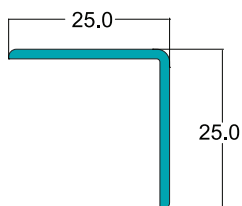
CG51

» CG50B

**CG 50B PVC Glued Corner Protection**

CG 50B is a corner protection system that has a decorative non-deformable and non-stretchable upper vinyl cover. CG 50B can be used in all kinds of structures such as, hospitals, restaurants, hotels, dormitories, universities, military buildings and public buildings to protect the corners of the walls. It can be produced in a specific length (L: 1meters, L: 1.50meters) as well as at the floor height. Manufactured in 32 different colours.

» CG25B

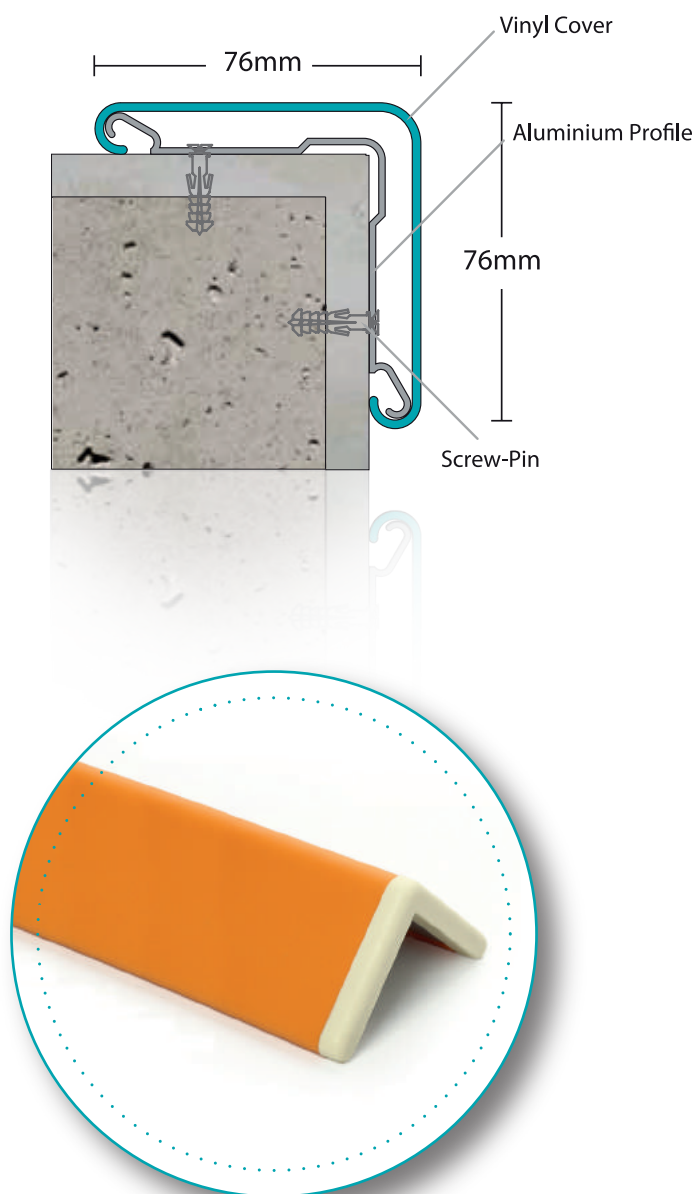


APPLICATIONS

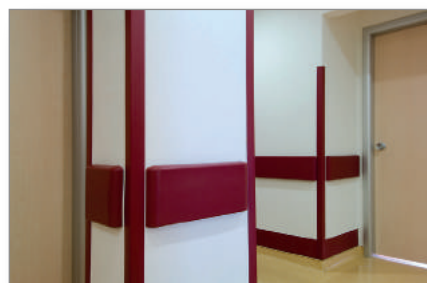


CG50B

» CG76

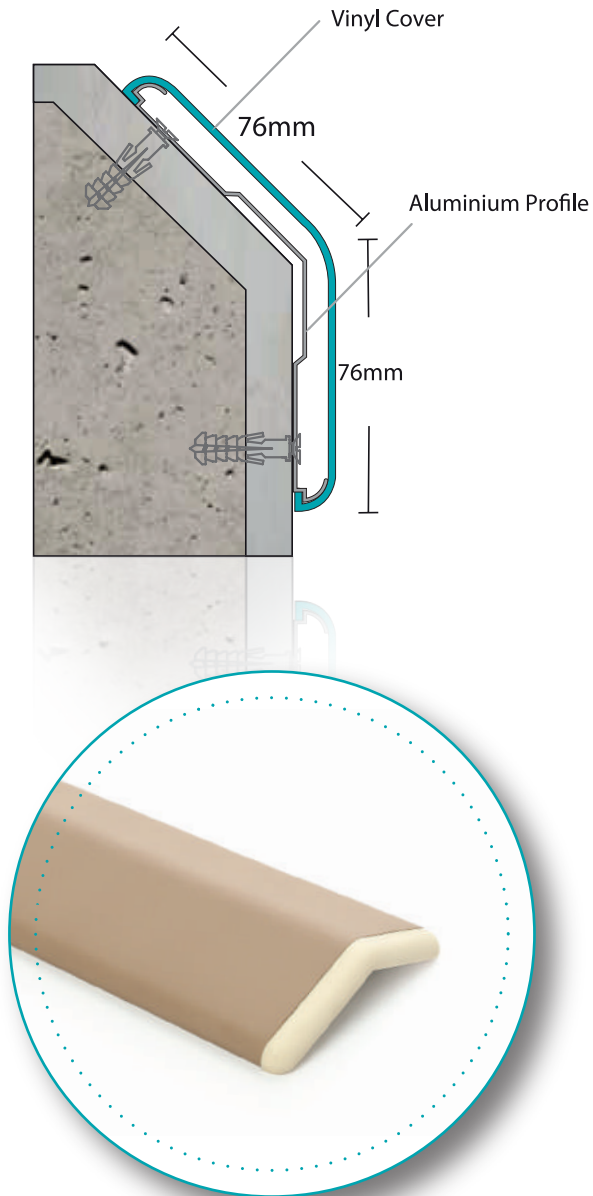
**CG76 Corner Protection System**

CG 76 is a corner protection system which composed of aluminium insider and decorative non-deformable and non-stretchable upper vinyl cover. CG76 can be used in all kinds of structures such as, hospitals, restaurants, hotels, dormitories, universities, military buildings and public buildings to protect the corners of the walls. It can be produced in a specific length (L: 1meter, L: 1.50meter) as well as at the floor height. Manufactured in 32 different colours.

WG008 End Cap**APPLICATIONS**

CG76

» CG76A

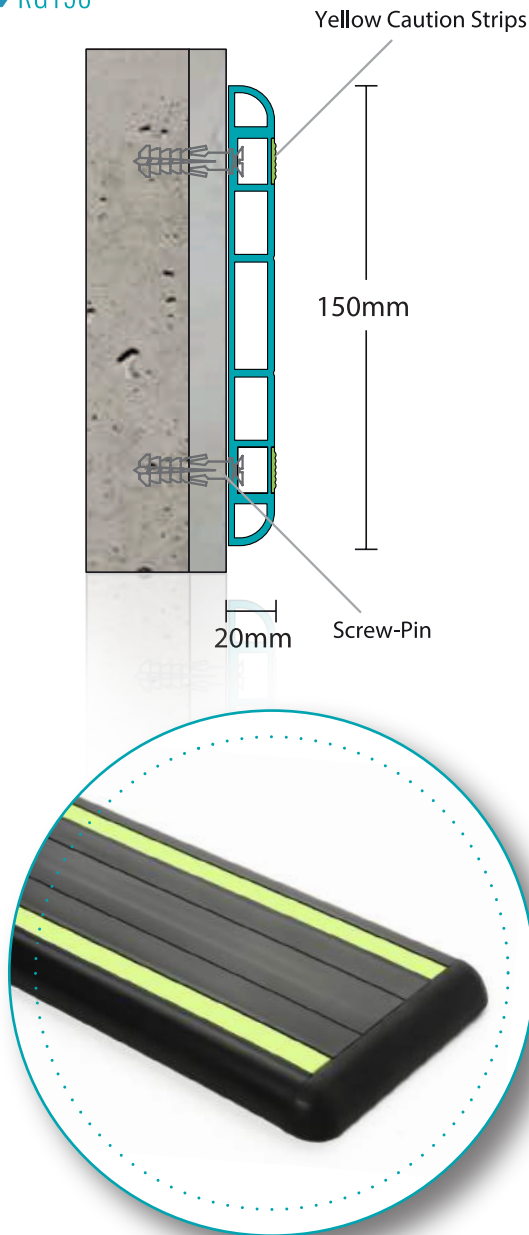
**CG 76A Angled Corner Protection**

CG 76-135° is a corner protection system which composed of aluminium insider and decorative non-deformable and non-stretchable upper vinyl cover. CG76 can be used in all kinds of structures such as, hospitals, restaurants, hotels, dormitories, universities, military buildings and public buildings to protect the corners of the walls. It can be produced in a specific length (L: 1meters, L: 1.50meters) as well as at the floor height. Manufactured in 32 different colours.

WG009 End Cap**APPLICATIONS**

CG76A

» RG150



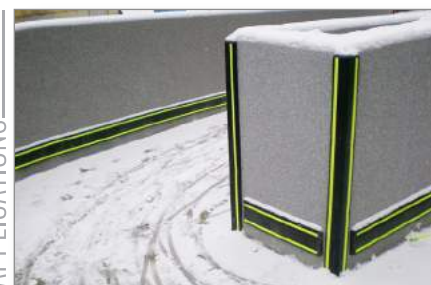
RG 150 Rubber Wall Guard System

RG 150 - Rubber Wall Guard System prevents deformation on walls and columns with 150mm width and 20mm depth. ARFEN's decorative RG 150 is usually used in carparks, factories and busy service corridors. There are two reflector bands on it which also helps drivers to see the right distance when parking. It can be used in a specific height (L: 1 meter, L: 1.50 meter) as well as at the floor height. Product's length is 3 meters.

RG01 Right and Left End

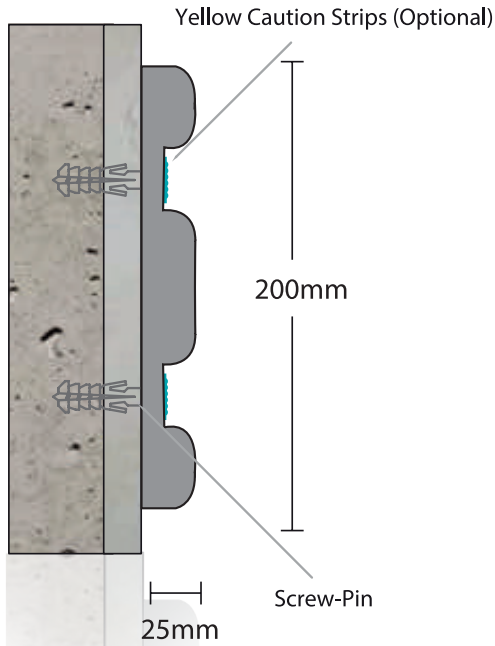


APPLICATIONS



RG150

» RG200



RG 200 TPE Wall Guard System

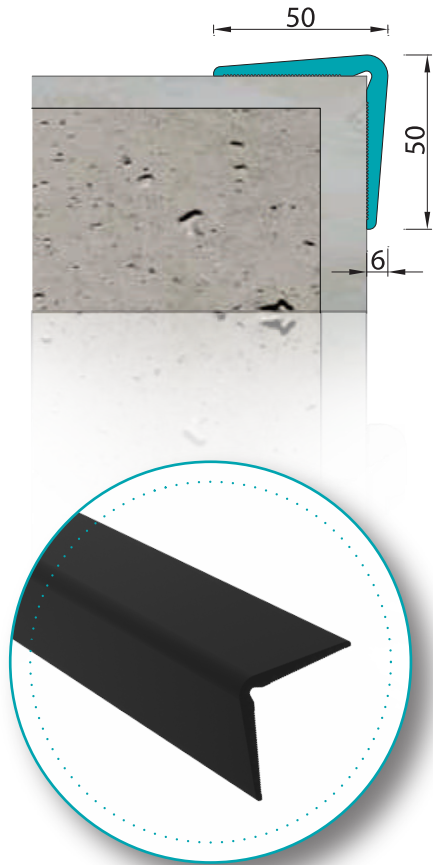
RG 200 - TPE Wall Guard System prevents deformation on walls and columns with 200mm width and 25mm depth. ARFEN's decorative RG 200 is usually used in carparks, factories and busy service corridors. This TPE wall guard system can protect walls for many years and does not get polluted with its strong and specially formulated structure. Can be produced in specific heights (L: 1 meter, L: 1.50 meter) as well as at the floor height. The colour alternatives are Black and Grey. Standard length is 3 meters.

APPLICATIONS



RG200

» RG50

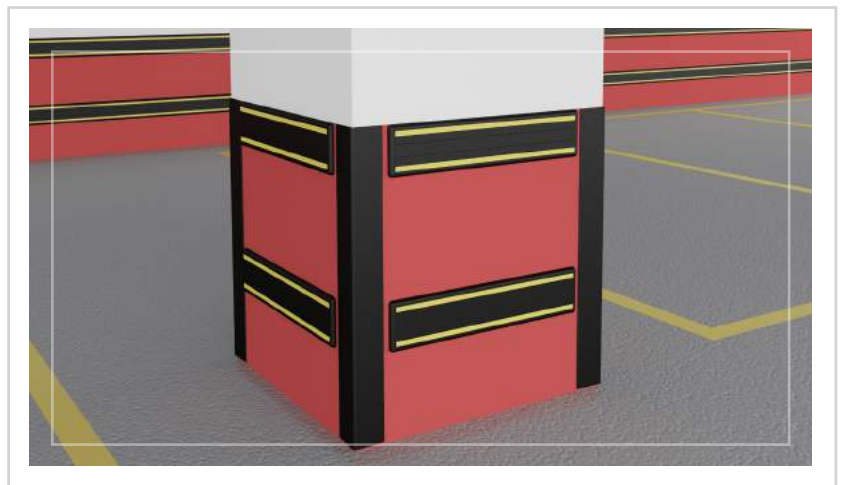
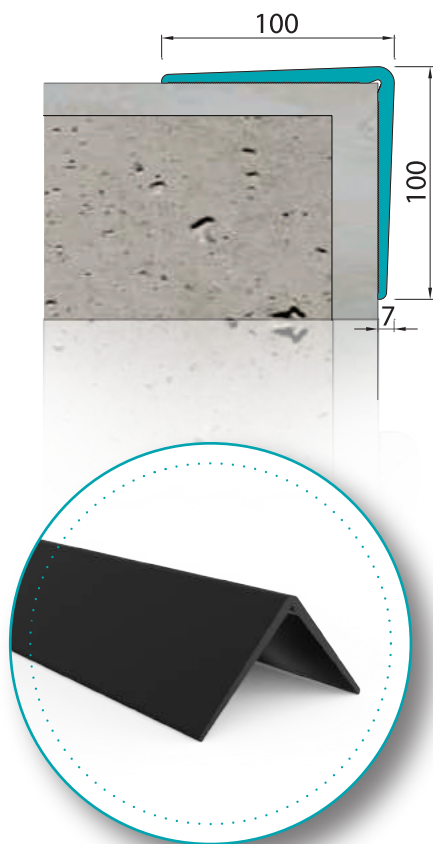


RG 50 TPE Corner Protection System

RG50 – (50mm x 50mm) is used for protecting columns and wall corners. TPE based corner protection is glued to the area with an appropriate adhesive. Production lengths are 1000mm, 1200 mm or 3000 mm.

RG50

» RG101

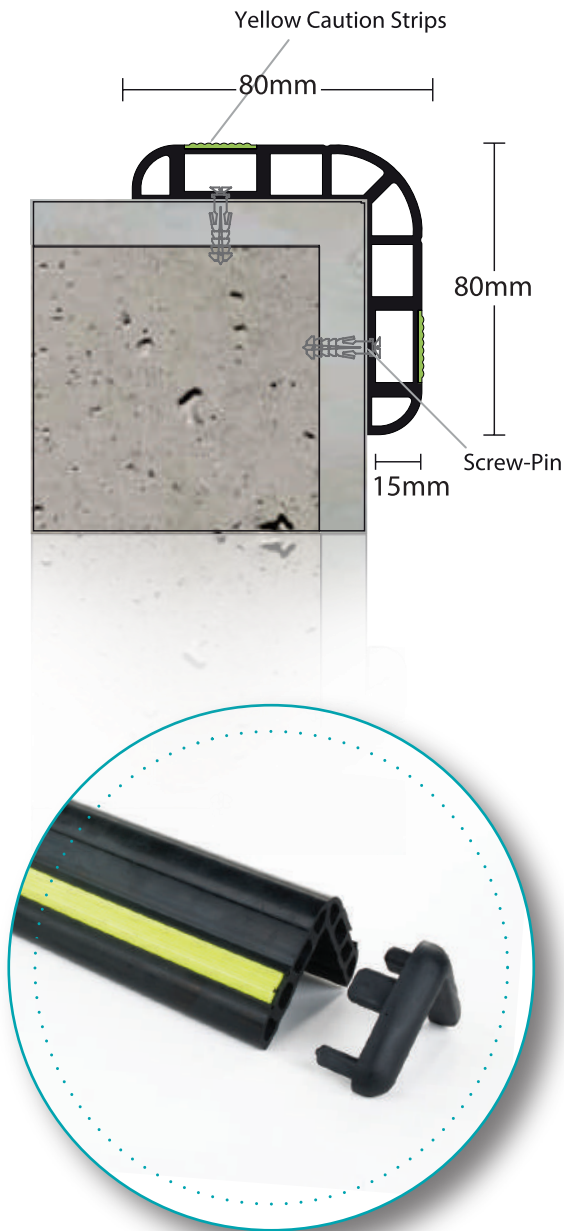


RG 101 TPE Corner Protection

RG101 – (10mm x 100mm) is used for protecting columns and wall corners. TPE based corner protection is glued to the area with an appropriate adhesive. Production lengths are 1000mm, 1200 mm or 3000 mm

RG101

» RG80



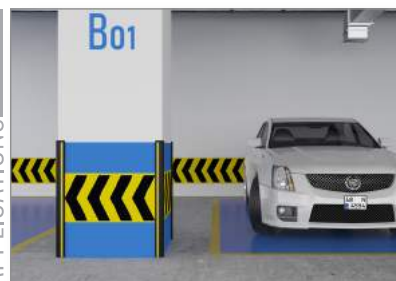
RG 80 Rubber Protection System

RG 80 - Rubber Corner Guard System prevents deformation on walls and columns. ARFEN's decorative RG 80 is usually used in carparks, factories and busy service corridors. The top end cap makes it look more decorative. It can be produced in specific heights (L: 1 meter, L: 1.50 meter) as well as at the floor height. Product's length is 3 meters.

RG02 End Cap

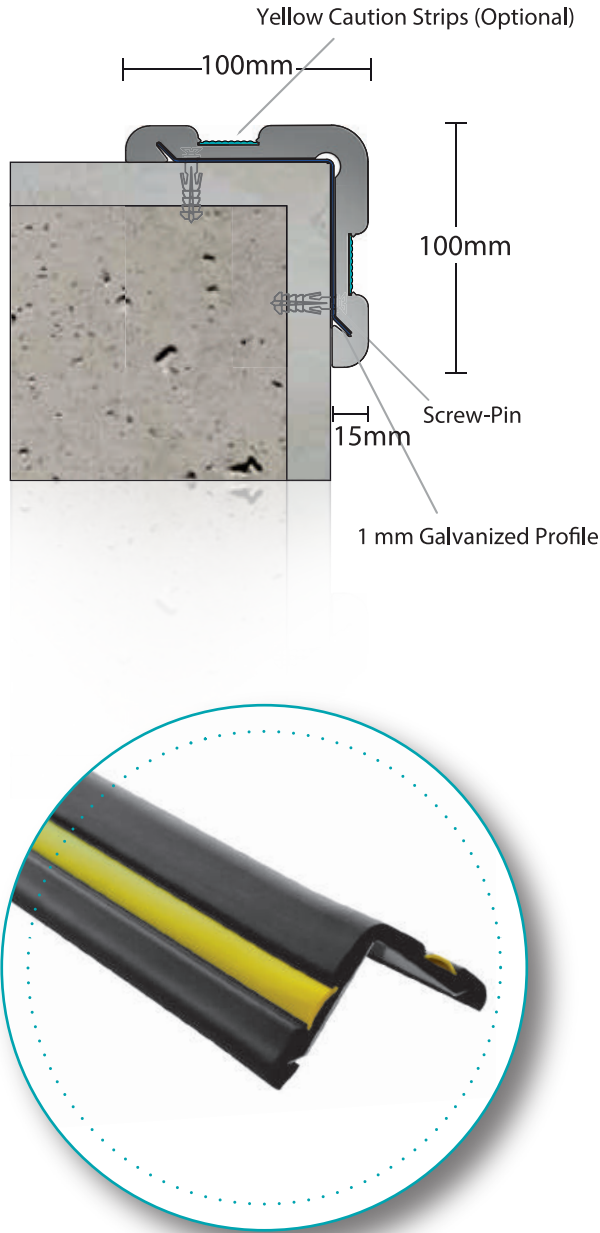


APPLICATIONS



RG80

» RG100



RG 100 TPE Corner Protection System

RG 100 - TPE Corner Guard System prevents deformation on walls and column corners with 100 mm width in each size. ARFEN's decorative RG 100 is usually used in carparks, factories and busy service corridors. This TPE corner guard system can protect corners better with its strong metal profile under. Can be produced in specific heights (L: 1 meter, L: 1.50 meter) as well as at the floor height. The colour alternatives are Black and Grey. Standard length is 3 meters.

RG 03 End Cap (for chamfer type corners)

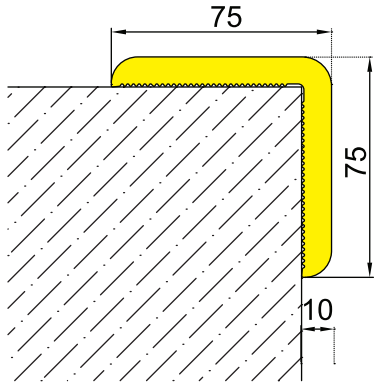


APPLICATIONS



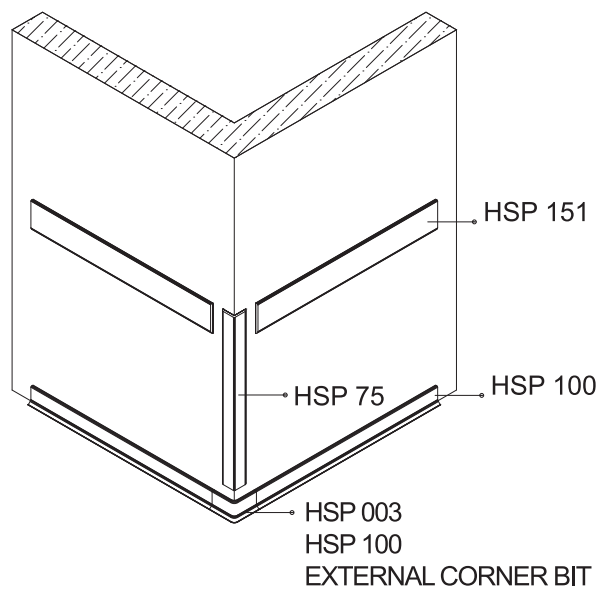
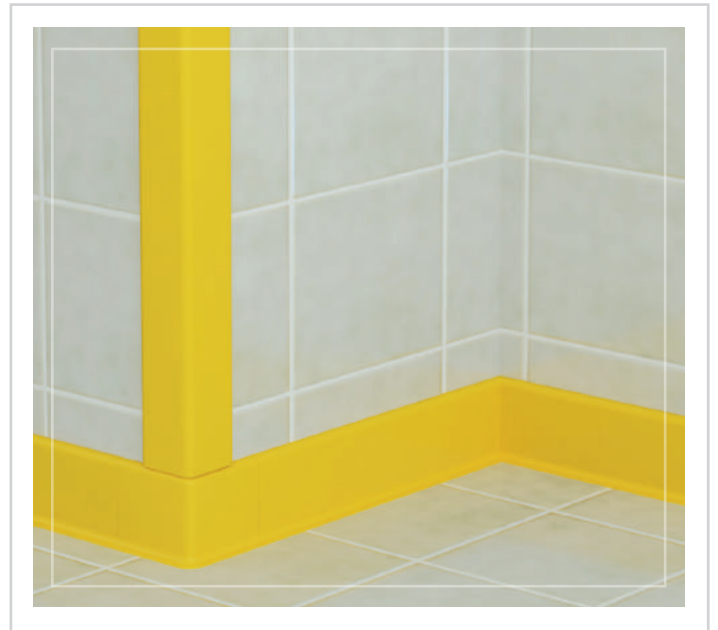
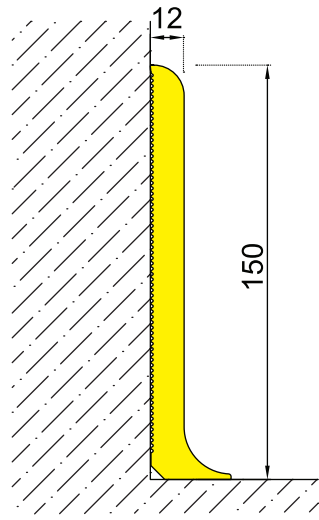
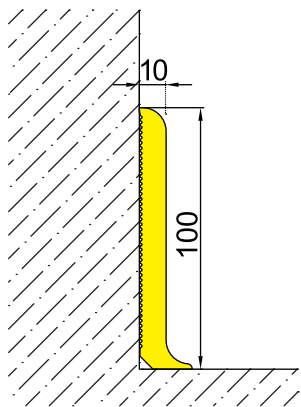
RG100

» HSP 75



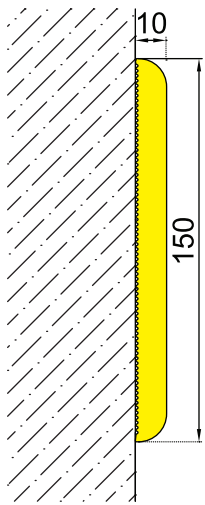
» HSP 100

» HSP 150

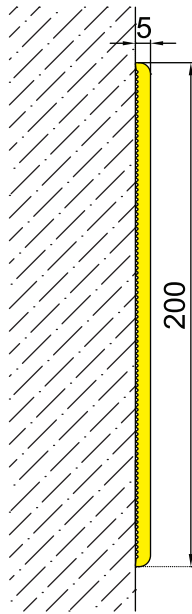


HSP 75-100-150

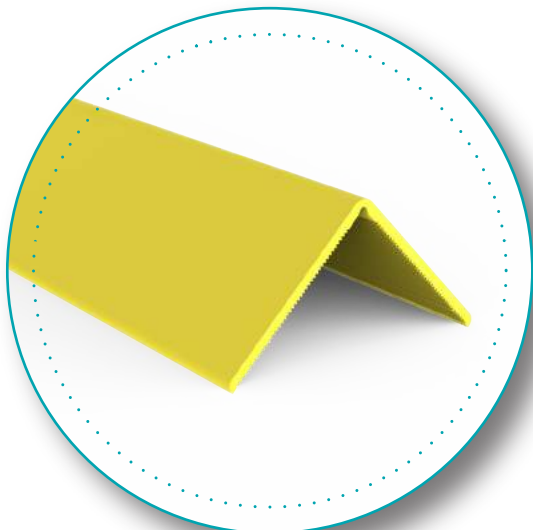
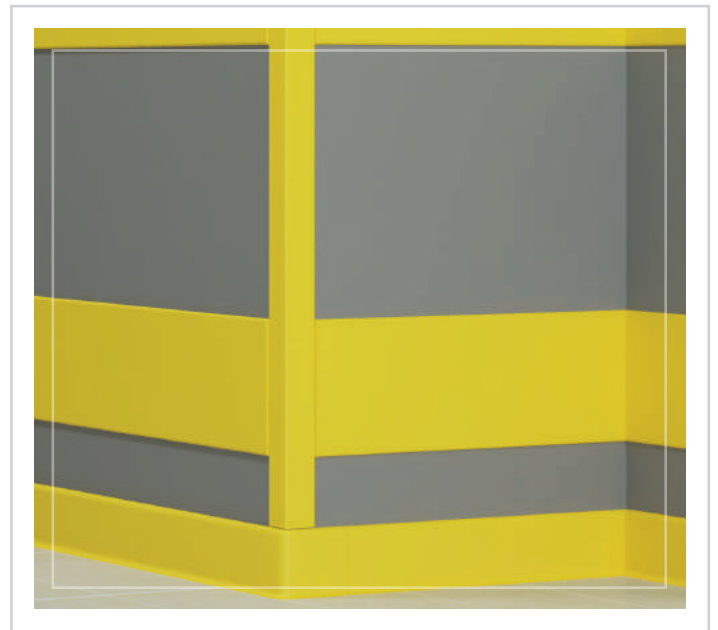
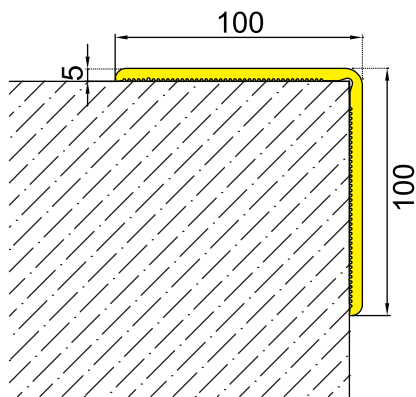
» HSP 151



» HSP 200



» HSP 102



HSP Series Hygienic Skirting Board and Wall Protection Systems

ARFEN HSP series skirtings and wall protection bands are produced from a flexible and soft PVC raw material. Produced in yellow colour to avoid any accidents by being cautious.

APPLICATIONS

